





Franklin Fueling Systems

TS-XX30 Intermediate Tank Sump

Installation Instructions

Warning  Follow all federal, state and local laws governing the installation, testing and inspection of this product and its associated systems. When no other regulations apply, follow NFPA codes 30, 30A and 70 from the National Fire Protection Association. Failure to follow these codes could result in severe injury, death, serious property damage and/or environmental contamination.

Caution  The part described in this document is one element of a system. All components of this system should be installed according to the manufacturer's specifications so that the system's integrity is not compromised. Test the complete system after installation according to all pertinent local, state and federal laws to ensure its proper operation. Failure to properly verify operation could lead to environmental contamination or system degradation.

Note: Determine the appropriate burial depth of the sump prior to installation. Prepare the trench at the proper depth and place the sump.

1. The intermediate tank sump comes preassembled, so remove the $\frac{3}{8}$ " bolts and washers attaching the lid to the sump base in order to access the interior of the sump.

Note: If you are using the TS-2430, remove the dust cover to access the bolts.

2. Install entry boots where desired (see manufacturer's installation instructions).

Note: To reduce stress on tank sumps, Franklin Fueling Systems recommends a minimum of 5" between the inside corner of the sump wall and the outside edge of the compression plate. All penetrations should be perpendicular (+/- 15 degrees) to flat panels only.

3. Install piping and fittings (see manufacturer's installation instructions).

Note: Air test both the pipe primary and secondary, the sump, and the ducting at this time.

4. Reattach the lid to the sump base, reversing the order in which you disassembled it in Step 1.

5. Tighten all of the bolts evenly.

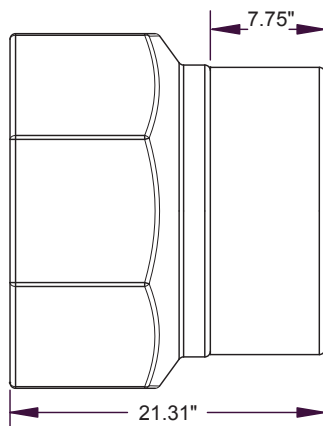
Note: If you're using the TS-2430, place the dust cover on the sump base.

6. Backfill evenly around the sump with approved backfill material. Do not over compact the backfill, or the sump may become distorted. If the sump does distort, remove enough backfill material around the sump for it to regain its natural shape.

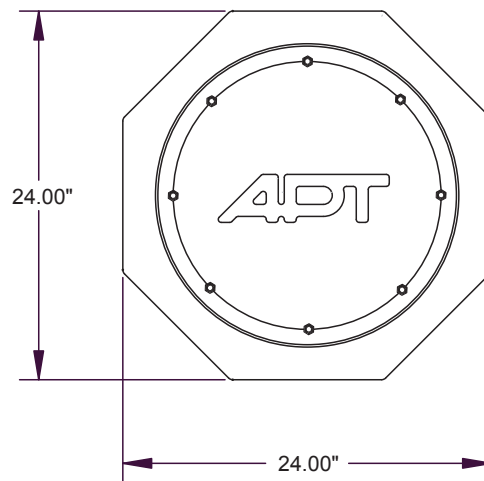
Note: See the APT™ *Installation Guide Overview* for a list of proper backfill materials.

7. Place the manhole skirt around the sump riser and lid; there should be a 1" minimum of clearance between the bottom of the manhole lid and the top of the sump lid. In addition, there should also be a minimum 1" clearance around the diameter of the skirt.

8. Pour a minimum of 4" of concrete around the manhole skirt.



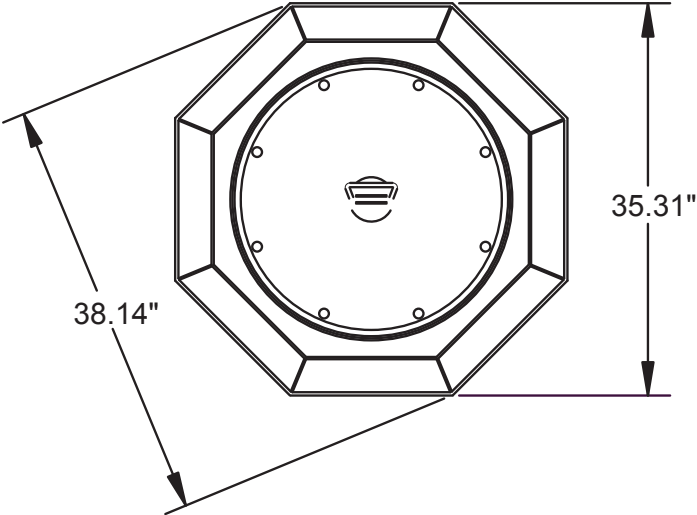
TS-2430
(side view)



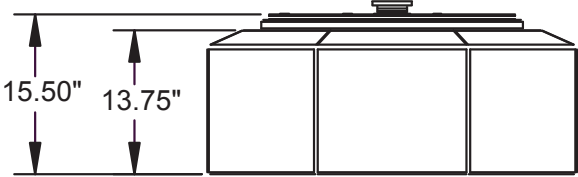
TS-2430
(top down view)

TS-3630 and TS-4230 Diagrams

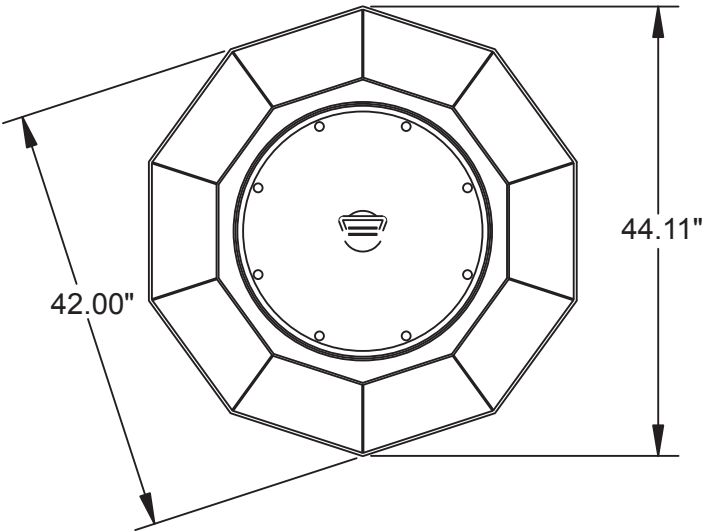
**TS-3630
(top down view)**



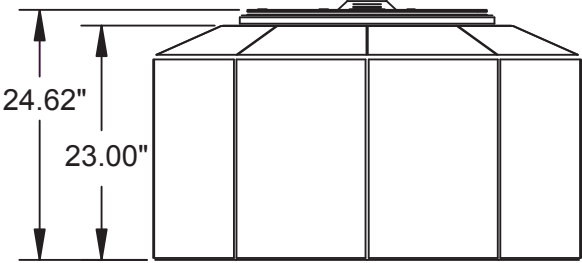
**TS-3630
(side view)**



**TS-4230
(top down view)**



**TS-4230
(side view)**



Franklin Fueling Systems

3760 Marsh Road • Madison, WI 53718 U.S.A.
Tel: +1 608 838 8786 • Fax: +1 608 838 6433 • www.franklinfueling.com
Tel: USA & Canada 1 800 225 9787 • Tel: Mexico 001 800 738 7610