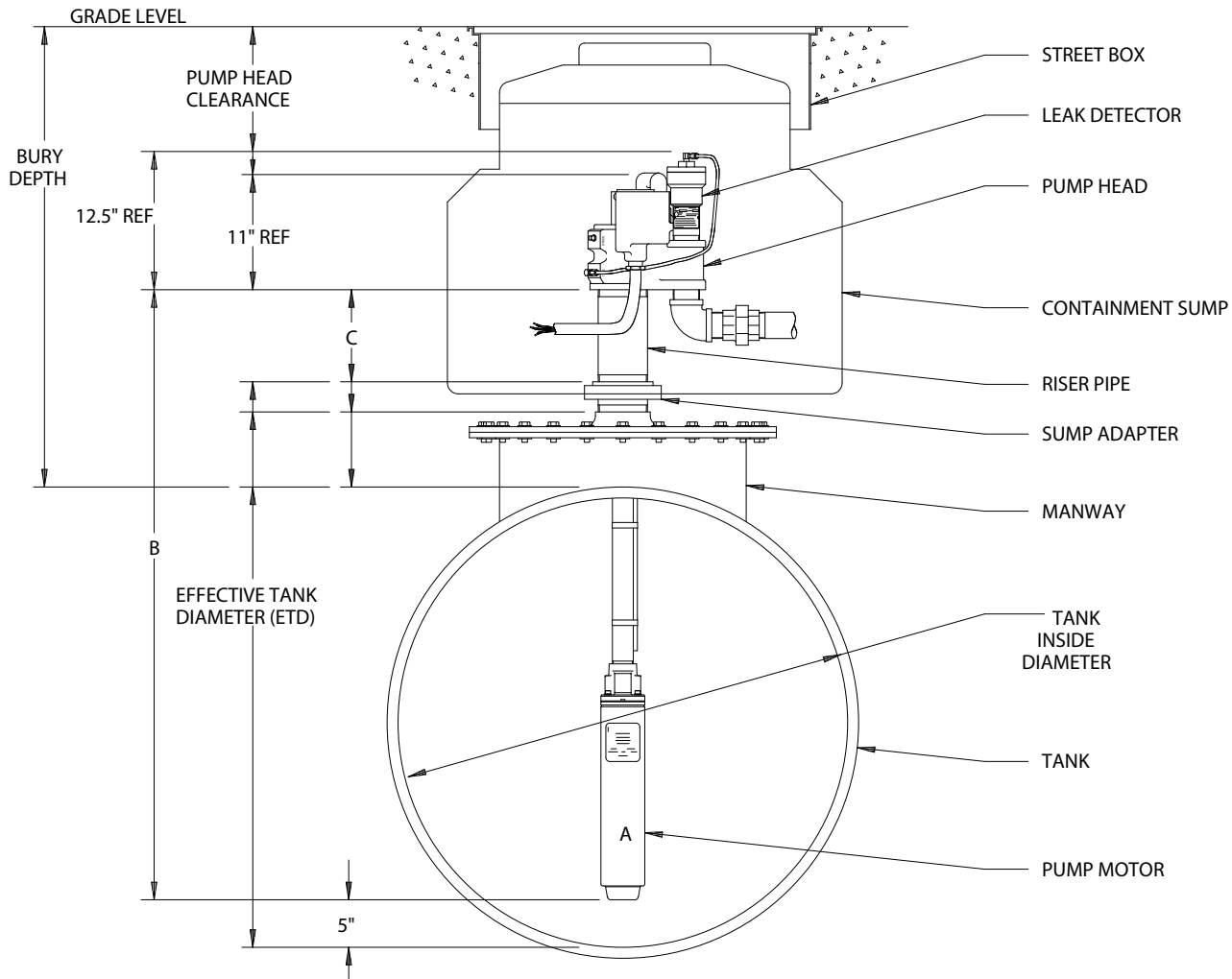


# HOW TO ORDER

TO SIZE YOUR PUMP ORDER CORRECTLY, WE NEED TO KNOW THIS INFORMATION:

- \* PUMP MOTOR MODEL/HORSEPOWER?
- \* TANK INSIDE DIAMETER?
- \* STEEL OR FIBERGLASS TANK?
  - MANUFACTURER?
- \* BURY DEPTH? (GRADE TO TOP OF TANK)
- \* WILL PUMP MOUNT ON TANK OR ON MANWAY?
  - STEEL TANK MANWAY HEIGHT?
- \* CONTAINMENT SUMP?
  - SUMP ADAPTER?
  - SUMP ADAPTER HEIGHT?



THE FE PETRO MODEL NUMBER IS DESIGNATED AS STP-A-B-C, USING THE CRITICAL DIMENSIONS SHOWN ABOVE, WHERE:

- \* A INDICATES THE PUMP MOTOR MODEL/HORSEPOWER
- \* EFFECTIVE TANK DIAMETER = B (STP MODEL LENGTH)
  - C (RISER LENGTH)(SUGGESTED MINIMUM = 7")
  - + 5" (BOTTOM CLEARANCE)
  - + 1" (THREAD ENGAGEMENTS)

ETD

1	ENGINEERING RELEASE	DESCRIPTION	ECNO	BY	DATE
REV					

**FE PETRO**  
147 FAWCETT BLVD  
 WILMINGTON, DE 19808

STP HOW TO ORDER

DATE:	2/20/97	DATE:	
BY:	BCG	DATE:	
APPROVAL:		DATE:	
DRAWN:		DRAWN:	ENGSK4B
SCALE:	1/8"	SHEET:	1 OF 1

The FE Petro Model Number is designated as STP-A-B-C, using the critical dimensions shown above, where: A - PUMP MOTOR MODEL/HORSEPOWER B - EFFECTIVE TANK DIAMETER (ETD) = C (RISER LENGTH) (SUGGESTED MINIMUM = 7") + 5" (BOTTOM CLEARANCE) + 1" (THREAD ENGAGEMENTS) C - RISER LENGTH (SUGGESTED MINIMUM = 7")	
MATERIAL: STAINLESS STEEL (SUS 304) ALUMINUM (6061) FIBERGLASS (FR-900)	
SPECIAL DIST: <input type="checkbox"/> MILD PROD <input type="checkbox"/> PIPE PROD <input type="checkbox"/> HIGH CAP. <input type="checkbox"/> MANHOLD PROD <input type="checkbox"/> SUMP ADAPTS	
SPECIAL BOX: <input type="checkbox"/> CONTROL BOX <input type="checkbox"/> STP PROD <input type="checkbox"/> STP PARTING	
OTHER: <input type="checkbox"/> OTHER	