



Diesel Exhaust Fluid Pump Motor Assemblies

FE Petro™ brand diesel exhaust fluid (DEF) pump motor assemblies (PMAs) feature a stainless steel close-coupled design that is completely compatible with DEF/AdBlue®. FE Petro DEF PMAs are powered by the field-proven Franklin Electric motor.

Highlights

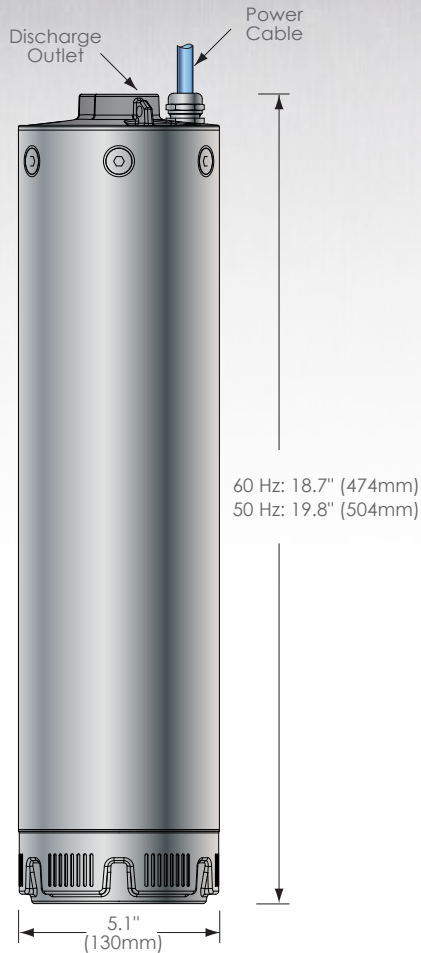
- Stainless steel, encapsulated motor ensures longevity and impermeability to DEF seepage.
- Heavy-duty shaft provides superior alignment and resistance to stress.
- Double mechanical shaft seals protect the oil-filled bearing chamber from DEF seepage, assuring minimal wear and proper bearing lubrication.
- Stainless steel hydraulics provide superior performance and efficiency.
- Plug-in type EPDM jacket power cable provides ease of service and DEF compatibility.
- Multiple models available to meet global requirements of voltage and frequency.
- All models are suitable for vertical installation where the pump motor is suspended off the bottom of the tank by the discharge piping.

Specifications

- Materials: Stainless steel construction including impellers/diffusers, inlet/outlet, and outer shell
- Pump type: All models are 5.1" (130 mm) outside diameter centrifugal type pump
- Power cable: 32.8' (10 m) EPDM jacketed plug-in power cable
- 60 Hz pump motor: Two-stage pump with 2" NPT female outlet
- 50 Hz pump motor: Three-stage pump with 2" BSPT female outlet
- Motor rating: Continuous operation with motor cooling provided by product flow and protected from dry running
- Bypass relief valve with cracking pressure of 30-40 psi (2.1-2.8 bar) and 4 gpm (15 lpm) minimum flow required at the discharge of all models.
- Non-return check valve with maximum cracking pressure of 3 psi (0.2 bar) required between product piping and bypass relief valve of all models.
- Liquid compatibility: All models are intended for use with Diesel Exhaust Fluid (DEF). DEF is a non-flammable, non-combustible liquid that has a specific gravity of 1.09 at 68°F, and is made per ISO 22241-1 specifications with 32.5% urea and distilled or deionized water. As defined by ISO 22241-1, DEF is the same as AUS 32® (aqueous urea solution) and also commonly known as AdBlue®.

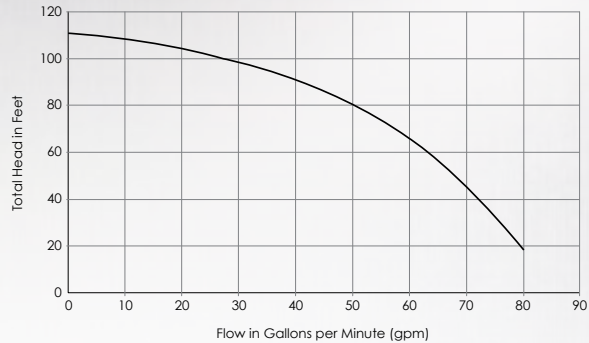
Specifications continued

Dimensions



60 Hz DEF Pump Motor Performance

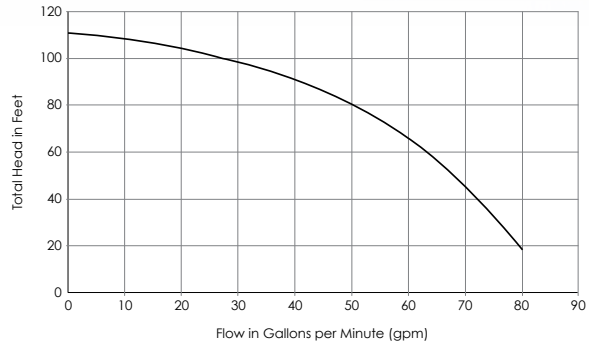
DEF-PMA150A (Single Phase) and DEF-PMA150D (Three Phase)



Note: Performance is based on pumping water (1.00 specific gravity). Pressure is taken at the discharge outlet of the pump motor.

50 Hz DEF Pump Motor Performance

DEF-PMA150B (Single Phase) and DEF-PMA150C (Three Phase)



Note: Performance is based on pumping water (1.00 specific gravity). Pressure is taken at the discharge outlet of the pump motor.

Ordering Information

Ordering Guide

Complete part numbers have a specific order and are created using the following guidelines:

DEF - PMA YYY Z

DEF = Pump Compatible with DEF

PMA = Pump Motor Assembly

YYY = Pump Motor Hp Rating

150 = 1½ Hp fixed speed (1.1 kW)

Z = Motor Electrical Rating

A = Single phase, 60 Hz, 208-240 VAC (rated 7.9 Amps, requires 25 microfarad run/start capacitor rated 370 VAC)

B = Single phase, 50 Hz, 210-250 VAC (rated 6.9 Amps, requires 30 microfarad run/start capacitor rated 440 VAC)

C = Three phase, 50 Hz, 380-415 VAC (rated 2.6 Amps)

D = Three phase, 60 Hz, 208-240 VAC (rated 5.0 Amps)

Example: DEF-PMA150A = DEF pump motor assembly, 1½ Hp fixed speed (1.1 kW), single phase, 60 Hz, 208-240 VAC.

Note: Three phase models require overload protection in motor starter. Single phase models have thermal overload protection built into the motor.

FE PETRO®

A Franklin Fueling Systems Brand

franklinfueling.com

3760 Marsh Rd. • Madison, WI 53718, USA

Tel: +1 608 838 8786 • Fax: +1 608 838 6433

Tel: USA & Canada +1 800 225 9787 • Tel: UK +44 (0)1473 243300

Tel: Mex 001 800 738 7610 • Tel: FR +33 (0)1 69 21 41 41 • Tel: CH +86 10 8565 4566

