



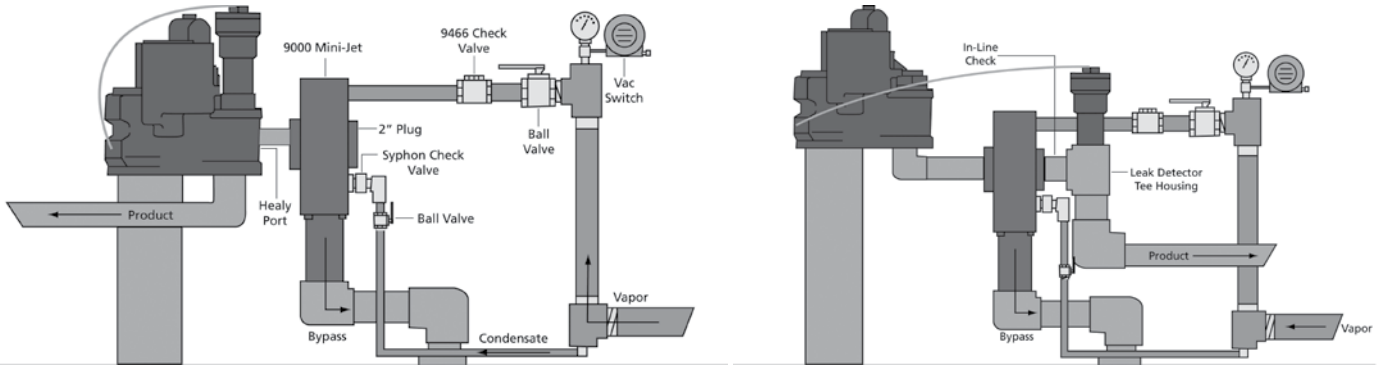
9000 Series Mini-Jet Central Vacuum Pump

The popular, non-electric Mini-Jet offers the ultimate in versatility utilizing an existing STP's product flow to create vacuum for vapor recovery. One Mini-Jet can handle eight fueling positions with four nozzles in simultaneous full flow operation. Additional Mini-Jets can be added for larger sites. Provides high reliability and low maintenance. High vacuum level assures clearing of flooded vapor hoses.



- No electrical hook-up
- No moving parts creating vacuum
- Installs in standard existing STP tank sump

CARB Certified for Use With	Executive Order Number	Tank Type
Healy 600 Bootless Nozzle	G-70-165	UST
Healy 400 ORVR Booted Nozzle	G-70-186	UST
Healy 400 ORVR Booted Nozzle	G-70-187	AST



9000 SERIES MINI-JET CENTRAL VACUUM SOURCE

All Central Vacuum Source installations require the use of the Healy 6280 Monitor Assembly.
Central Vacuum Systems are not available for sale into new sites in California.

Part Number	Description
9000-02	9000 Mini-Jet, Non-electric, with Syphon Port. One Mini-Jet can handle eight fueling positions with four nozzles in simultaneous full flow.
912A	9000 Mini-Jet Check Valve Strainer Assembly
940	Regulator Only
940A	Vacuum Regulator Upgrade Kit