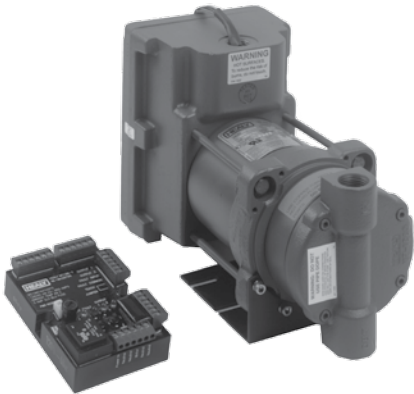




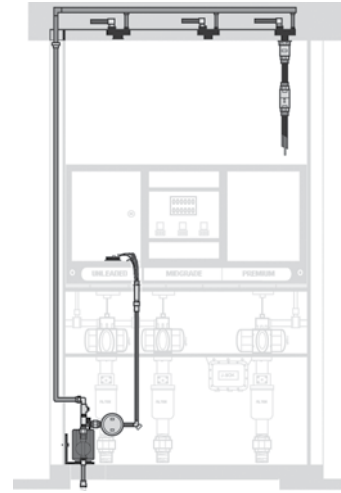
## VP1000 Series Dispenser-Mounted Vacuum Source

One vacuum pump per dispenser supplies both sides, reducing long term maintenance costs. The VP1000 has been designed to satisfy the vapor recovery needs of a blender or non-blender dispenser. Simple installation with no excavation minimizes downtime and labor. The VP1000 connects to the dispenser with a simple interface module without costly software changes or electronic board replacement. This is the most cost-effective dispenser-mounted vacuum-assist system on the market today.



- Compatible with new and existing dispensers
- Underground tank certifications

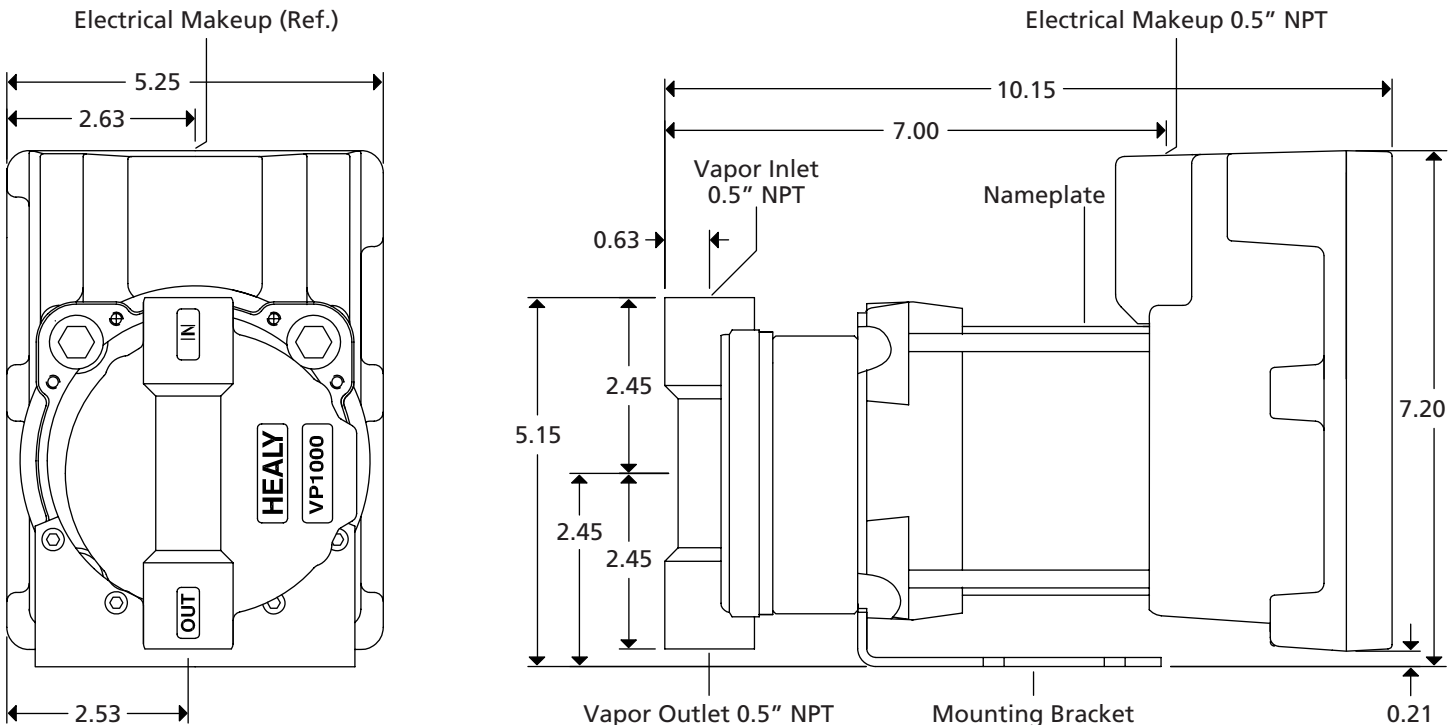
## VP1000 Installation



| CARB Certified for Use With | Executive Order Number | Tank Type  |
|-----------------------------|------------------------|------------|
| Healy 900 EVR Nozzle        | VR-201<br>VR-202       | UST<br>UST |
| Healy 800 ORVR Nozzle       | G-70-191               | UST        |
| Healy 600 Bootless Nozzle   | G-70-183               | UST        |

## VP1000 Outline Drawing

All dimensions are approximate and reference only.



# STAGE II VAPOR RECOVERY DISPENSER-MOUNTED VACUUM SOURCES

Dispensing  
Systems



## VP1000 DISPENSER (MODEL SPECIFIC) MOUNTED VACUUM SOURCE KITS

Includes Vapor and Electrical Conduits as listed below, one VP1000 per dispenser supplies both sides.

| Part Number | Description   |
|-------------|---|
| VP1000N     | Dresser Wayne Harmony Series — Balance to Healy<br>Includes: Z078H - Hardware Kit<br>Z078E - Electrical Kit<br>Z078V - Vapor Kit<br>VP1000-5 Vacuum Pump<br>1365A - MC100-1 Interface Module with Harness                     |
| VP1000P     | Dresser Wayne Ovation Series — Balance or WayneVAC to Healy<br>Includes: Z079H - Hardware Kit<br>Z079E - Electrical Kit<br>Z079V - Vapor Kit<br>VP1000-5 Vacuum Pump<br>1365A - MC100-1 Interface Module with Harness         |
| VP1000Q     | Dresser Wayne Harmony Series — WayneVAC to Healy<br>Includes: Z080H - Hardware Kit<br>Z080E - Electrical Kit<br>Z080V - Vapor Kit<br>VP1000-5 Vacuum Pump<br>1365A - MC100-1 Interface Module with Harness                    |
| VP1000M     | Gasboy 9800 Series — Non Vapor Ready to Healy<br>Includes: Z081H - Hardware Kit<br>Z081E - Electrical Kit<br>Z081V - Vapor Kit<br>VP1000-5 Vacuum Pump<br>1374A - MC100-1 Interface Module with Harness                       |
| VP1000R     | Gilbarco Encore 300 or 500 Series — Balance to Healy<br>Includes: Z082H - Hardware Kit<br>Z082E - Electrical Kit<br>Z082V - Vapor Kit<br>VP1000-5 Vacuum Pump<br>1373A - MC100-1 Interface Module with Harness                |
| VP1000S     | Gilbarco Encore 300 or 500 Series — VaporVAC to Healy<br>Includes: Z082H - Hardware Kit<br>Z082E - Electrical Kit<br>Z083V - Vapor Kit<br>VP1000-5 Vacuum Pump<br>1373A - MC100-1 Interface Module with Harness               |
| VP1000T     | Dresser Wayne 3 Vista Series — Balance to Healy<br>Includes: Z084H - Hardware Kit<br>Z084E - Electrical Kit<br>Z084V - Vapor Kit<br>VP1000-5 Vacuum Pump<br>1365A - MC100-1 Interface Module with Harness                     |
| VP1000V     | Dresser Wayne 1 Vista or 2 Vista (blenders only) — Balance to Healy<br>Includes: Z084H - Hardware Kit<br>Z084E - Electrical Kit<br>Z084V - Vapor Kit<br>VP1000-5 Vacuum Pump<br>1363A - MC100-1 Interface Module with Harness |

# STAGE II VAPOR RECOVERY DISPENSER- MOUNTED VACUUM SOURCES



### VP1000 DISPENSER (NON-INCLUSIVE) MOUNTED VACUUM SOURCE KITS

Does not include Vapor and Electrical Conduits. Use Z070E and Z071V kits listed below. One VP1000 per dispenser supplies both sides.

| Part Number | Description  |
|-------------|--|
| VP1000A     | For use with all dispenser types, use if a model-specific VP1000 version is not available (VP1000D-V). Includes VP1000-5 Vacuum Pump, 1360A Interface Module and 1404 Universal Hardware/Mounting Kit. |
| VP1000D     | Gilbarco 300 Blender Dispensers only (early model AC Solenoid valves, pre-April 2003). Includes VP1000-5 Vacuum Pump, 1368A Interface Module with Harness and 1404 Universal Hardware/Mounting Kit.    |
| VP1000E     | International only.  |
| VP1000G     | Wayne DL Non-Blender Dispensers only. Includes VP1000-5 Vacuum Pump, 1354A Interface Module with Harness and 1404 Universal Hardware/Mounting Kit.   |
| VP1000H     | Tokheim Premier C Blender Dispensers with 24 VDC Solenoids only. Includes VP1000-5 Vacuum Pump, 1362A Interface Module with Harness and 1404 Universal Hardware/Mounting Kit.                          |
| VP1000J     | Tokheim Earlier-Series Blender Dispenser with AC and DC Solenoids. Includes VP1000-5 Vacuum Pump, 1372A Interface Module with Harness and 1404 Universal Hardware Mounting Kit.                        |

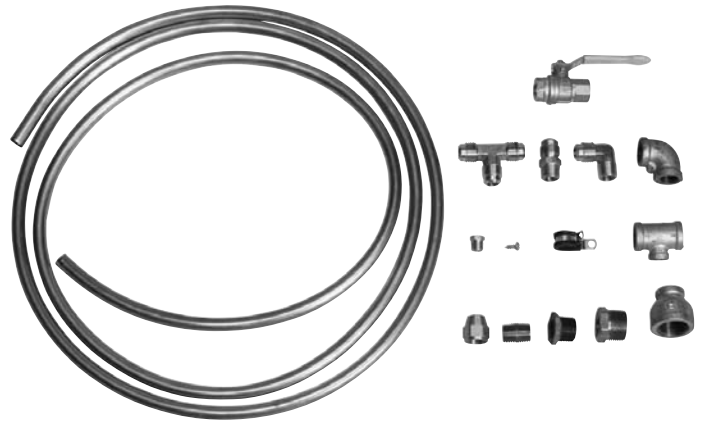
### UNIVERSAL VAPOR AND ELECTRICAL KITS

For use with VP1000 kits listed above.

| Part Number | Description   |
|-------------|---|
| Z070E       | Electrical Installation Kit for VP1000 Series Vacuum Source (for use with VP1000 A-J)   |
| Z071V       | Vapor Piping Installation Kit for VP1000 Series Vacuum Source (for use with VP1000 A-J) |



**Universal Electrical Kit**



**Universal Vapor Kit**

# STAGE II VAPOR RECOVERY DISPENSER-MOUNTED VACUUM SOURCES

Dispensing  
Systems



## VP1000 REPLACEMENT PARTS

| Part Number   | Description   |
|---------------|---|
| 1316          | 6" Potted Conduit Assembly  |
| 1346          | 3" Potted Conduit Assembly (used in Z078E, Z079E, Z080E and Z084E)                                    |
| 1354          | Wire Harness for use with Wayne DL Non-blenders   |
| 1354A         | 1354 Wire Harness with Interface Module   |
| 1360          | Wire Harness (Universal)  |
| 1360A         | 1360 Wire Harness with Interface Module (Universal)   |
| 1362          | Wire Harness for use with Tokheim Premier C Series Blender Dispensers with 24 VDC Solenoids           |
| 1362A         | 1362 Wire Harness with Interface Module   |
| 1363          | Wire Harness for use with Wayne 1 Vista and 2 Vista (Blender) Dispensers                              |
| 1363A         | 1363 Wire Harness with Interface Module   |
| 1365          | Wire Harness for use with Wayne Ovation and 3 Vista Series Dispensers                                 |
| 1365A         | 1365 Wire Harness with Interface Module   |
| 1368          | Wire Harness for use with Gilbarco Encore 300 Blender Dispensers (early AC Solenoids, pre-April 2003) |
| 1368A         | 1368 Wire Harness with Interface Module   |
| 1372          | For use with Earlier Version Tokheim Blender Dispensers with AC and DC Solenoids                      |
| 1372A         | 1372 Wire Harness with Interface Module   |
| 1373          | Wire Harness for use with Gilbarco Encore 300 and 500 Series Dispensers (with 24VDC Solenoids)        |
| 1373A         | 1373 Wire Harness with Interface Module   |
| 1374          | Wire Harness for use with Gasboy 9800   |
| 1374A         | 1374 Wire Harness with Interface Module   |
| 1404          | Universal Mounting Kit  |
| 1444-1        | VP1000 Front Cover Assembly   |
| MC100-1       | Universal Interface Module Only   |
| VP1000-5      | Vacuum Pump Only (110 Volt)   |
| RVP1000-5     | Rebuilt VP1000-5 Vacuum Pump Only   |
| VP1000-5 Core | Core — VP1000-5 in Reusable Condition for Rebuild   |
| VP1000VRC     | VP1000 Van and Rotor Replacement Kit (Includes Vanes, Rotor, Shaft Key and Cover O-ring)              |
| VP1000-220    | International Vacuum Pump Only (220 Volt)   |
| MC200-1       | International Control Module Only (220 Volt)  |