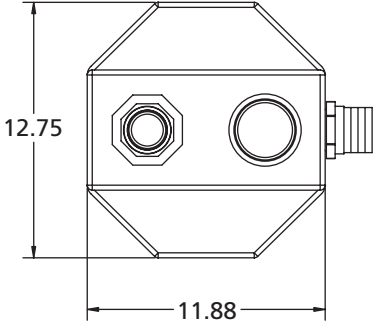


2" Vent Conversion Box Fittings



VCF-200 Vent Box can be used along with XP-Series Single Wall Pipe for use in venting tanks.

MODEL	DESCRIPTION
VNC-200	2.00" Nylon Male Nipple
V90-200	2.00" Nylon Barbed Elbow
VT-200	2.00" Nylon Barbed Tee
VCF-200	Vent Conversion Box with 2" Nylon Nipple and 2" galvanized riser with Union



**VCF-200 VENT/VAPOR BOX
(REF. ONLY)**

