



Male Swage Swivel Pipe Fittings

The APT innovative swage fitting is designed with the same proven technology as our clamshell fittings. It is compatible with APT 1 1/2", 1 3/4" and 2" single and secondary containment piping using standard NPT connection fittings. Manufactured of stainless steel, the APT swage fitting is reliable, easy to install and requires no specialized connection tees or elbows.

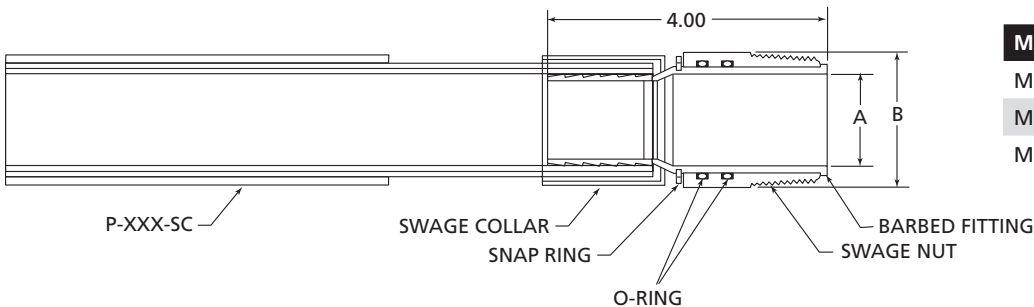


Design Highlights & Advantages

- Connection threads are compatible with 1 1/2" or standard 2" NPT pipe threads.
- Swage fittings utilize APT's proven swivel and double Viton O-ring design similar to APT clamshell fittings.
- Fittings are interchangeable with standard schedule 40 galvanized fittings.
- 100 psi rated working pressure.
- Tensile and burst strength mirrors that of APT's clamshell fittings.
- Swaged outside of containment sump easily passes through current APT Flexible Entry Boots.
- All of APT's Male Swage Swivel Pipe Fittings are UL and ULC listed.

MODEL	DESCRIPTION
MS-SW-150-150	Male Swivel installs on the end of 1 1/2" single/secondary contained pipe with 1.50" NPT
MS-SW-175-200	Male Swivel installs on the end of 1 3/4" single/secondary contained pipe with 2.00" NPT
MS-SW-200-200	Male Swivel installs on the end of 2" single/secondary contained pipe with 2.00" NPT

P-Series fitting to be used only for P-Series pipe.



MODEL	DIM. "A"	DIM. "B"
MS-SW-150	1.390	2.000
MS-SW-175	1.635	2.500
MS-SW-200	2.030	2.875

