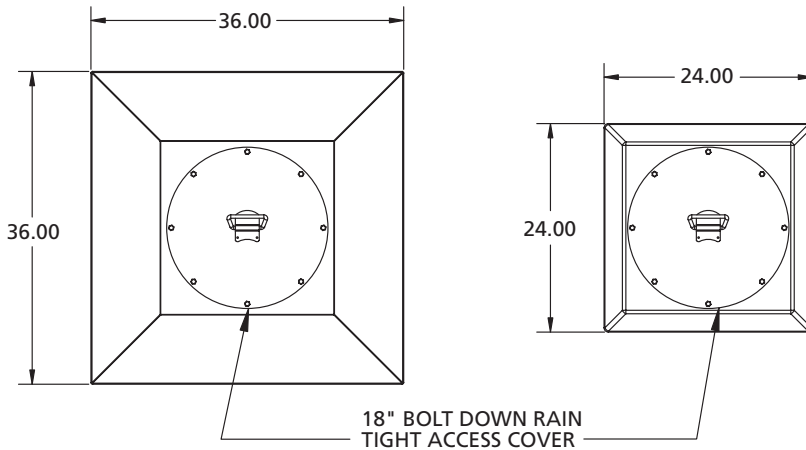




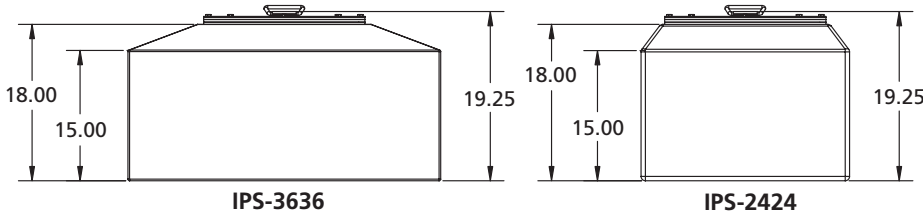
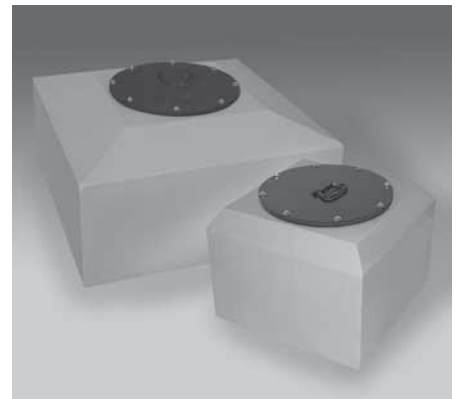
Below Grade Intermediate Piping Sumps

APT intermediate piping sumps are a multifunctional component in the underground flexible piping system. The IPS-2424 and IPS-3636 can be used as a containment sump for fittings when utilizing a tee between dispenser islands, for contained piping splices, or for line branching points. These sumps are ideal for a low point sensor chamber between USTs and dispenser islands where required.



Design Highlights & Advantages

- 18" bolt down water-tight lid.
- Design is engineered to be multifunctional.
- Sumps are constructed from high density polyethylene, making them durable and chemical resistant.
- Two sizes available, 24" x 24" square and 36" x 36" square.
- Tapered top allows both intermediate piping sumps to fit securely under a 24" manhole.
- One piece design ensures environmental security and water resistance.
- The IPS-2424 and IPS-3636 are UL and ULC listed.



MODEL	DESCRIPTION
IPS-2424	Intermediate Piping Sump, 24" x 24" fits under a 24" Manhole
IPS-3636	Intermediate Piping Sump, 36" x 36" fits under a 24" Manhole
999-855-54	Replacement Gasket

