



## Below Grade Transition Tank Sumps

APT TS-2430, TS-3630 and TS-4230 tank sumps are ideally suited for low cost retrofits and shallow burial applications. The TS-2430 is ideal for line branching points and for containing piping splices. The 36" or 42" bases provide ample space for submersibles and fittings. The bolt on gasket-lid combination fits economically under a 30" manhole.



### Design Highlights & Advantages

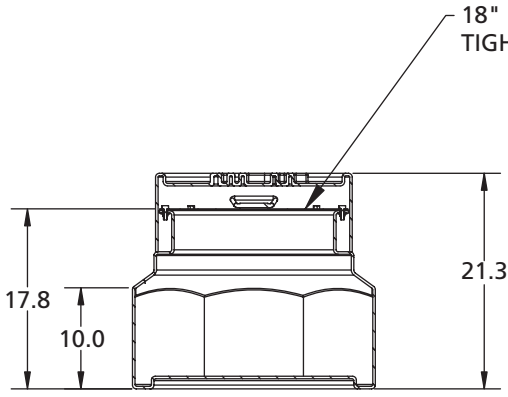
- TS-2430 utilize an 18" bolt down water-tight lid.
- TS-3630 and TS-4230 utilize a 23.5" bolt down water-tight lid.
- High density polyethylene construction is durable and chemical resistant.
- All TS-Series sumps allow fittings to be installed with ease, while tapered design allows for installation under an economical 30" manhole.
- Bolt down cover can be easily removed for routine inspections.
- One piece design enhances water resistance.

MODEL	DESCRIPTION
TS-2430	Transition Sump, Shallow Burial, 24" base, fits under a 30" Manhole
TS-3630	Tank Sump, Shallow Burial, 36" base, fits under a 30" Manhole
TS-4230	Tank Sump, Medium Burial, 42" base, fits under a 30" Manhole
TS-Kit	TS-3630/4230 Retro-Fit Kit — replacement lid assembly for screw-on polyethylene lids
999-855-55	Replacement Gasket

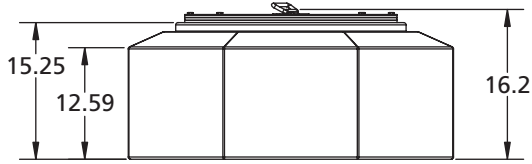
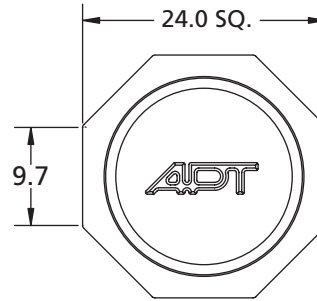




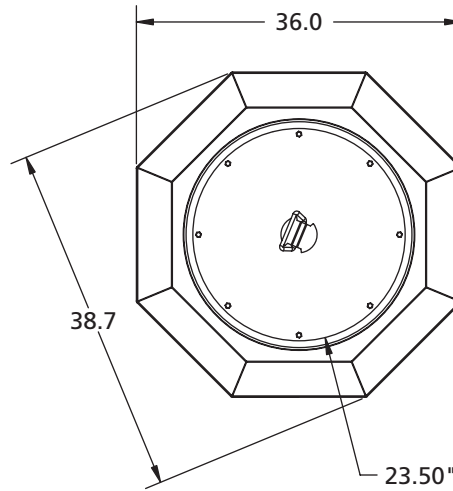
Below Grade Transition Tank Sumps



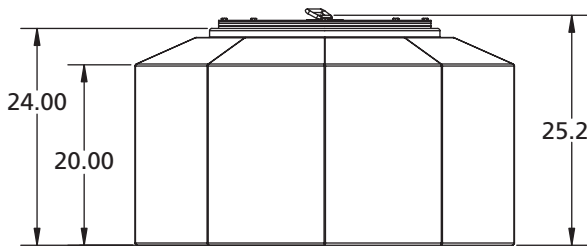
TS-2430



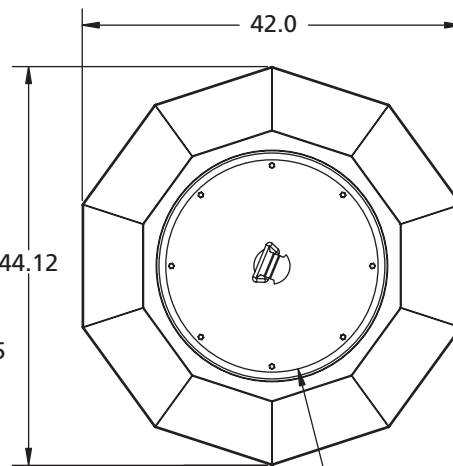
TS-3630



23.50" BOLT DOWN RAIN TIGHT ACCESS COVER



TS-4230



23.50" BOLT DOWN RAIN TIGHT ACCESS COVER