



MD Series Flexible Entry Boots

When using the APT Metallic Ducted (MD) series pipe, the use of the MD series flexible entry boot is required. These boots are similar in design to our standard flexible entry boots, except they include an additional seal that faces outward to secure the MD layer of the pipe to the sump wall, and terminate the single or secondary contained piping on the inside of the sump for a water/fuel tight seal.



Design Highlights & Advantages

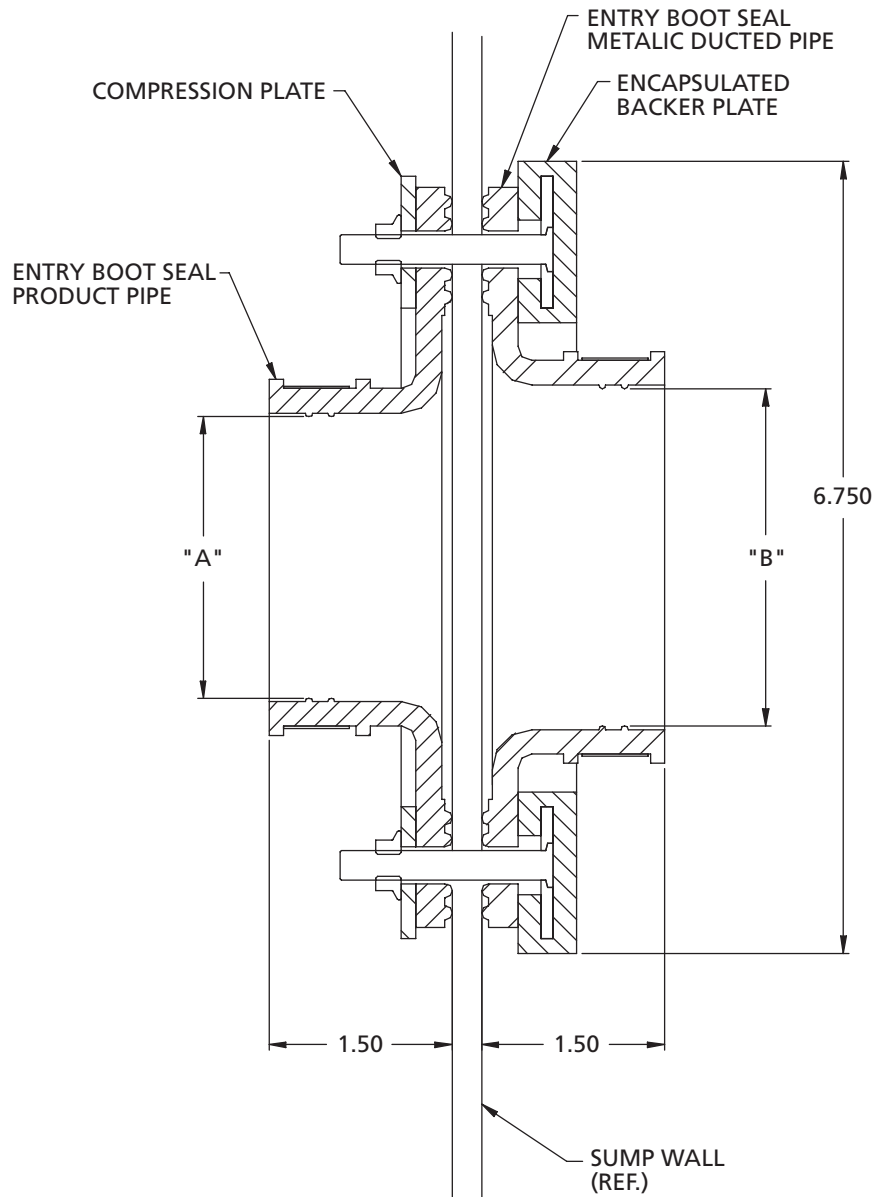
- Same proven design features of APT standard flexible entry boots.
- Inner seal provides water tight seal around the single or secondary contained product pipe.
- The outer seal secures the MD layer to the sump wall.
- Double seals offer additional security for the harsh conditions of marina and aboveground applications.
- Made from gas and oil resistant nitrile rubber.
- Will work on round sumps of 36" or larger diameter.

MODEL	DESCRIPTION
FEB-075-MDD	Flexible Entry Boot for P-075-MD
FEB-075-MD	Flexible Entry Boot for P-075-MD
FEB-100-MDD	Flexible Entry Boot for XP-100-MDD
FEB-100-MD	Flexible Entry Boot for XP-100-MD
FEB-150-MDD	Flexible Entry Boot for XP-150-MDD
FEB-150-MD	Flexible Entry Boot for XP-150-MD
FEB-175-MDD	Flexible Entry Boot for XP-175-MDD
FEB-175-MD	Flexible Entry Boot for XP-175-MD
FEB-200-MDD	Flexible Entry Boot for XP-200-MDD
FEB-200-MD	Flexible Entry Boot for XP-200-MD





MD Series Flexible Entry Boots



MODEL	DESCRIPTION	DIM. "A"	DIM. "B"	HOLE SIZE	MTG STUDS
FEB-075-MDD	Flexible Entry Boot for 3/4" single wall pipe and MD pipe	1.05"	1.70"	2"	4
FEB-075-MD	Flexible Entry Boot for 3/4" secondary contained pipe and MD pipe	1.32"	2.00"	3 1/2"	8
FEB-100-MDD	Flexible Entry Boot for 1" single wall pipe and MD pipe	1.32"	2.00"	3 1/2"	8
FEB-100-MD	Flexible Entry Boot for 1" secondary contained pipe and MD pipe	1.70"	2.40"	3 1/2"	8
FEB-150-MDD	Flexible Entry Boot for 1 1/2" single wall pipe and MD pipe	1.75"	2.40"	3 1/2"	8
FEB-150-MD	Flexible Entry Boot for 1 1/2" secondary contained pipe and MD pipe	2.00"	2.88"	3 1/2"	8
FEB-175-MDD	Flexible Entry Boot for 1 3/4" single wall pipe and MD pipe	2.00"	2.88"	3 1/2"	8
FEB-175-MD	Flexible Entry Boot for 1 3/4" secondary contained pipe and MD pipe	2.40"	2.88"	3 1/2"	8
FEB-200-MDD	Flexible Entry Boot for 2" single wall pipe and MD pipe	2.50"	3.50"	3 1/2"	8
FEB-200-MD	Flexible Entry Boot for 2" secondary contained pipe and MD pipe	2.88"	3.50"	3 1/2"	8