
INSTALLATION AND OPERATING INSTRUCTIONS MODEL 1932 POWER CONDITIONER

OVERVIEW

The INCON Model 1932 is an AC line Power Conditioner. The output is clean, voltage stabilized, and virtually free of transient spikes and noise. Model 1932 is designed to be used with either the model 1250 or 1255 series Programmable Position Monitors and their synchro transmitter.

THEORY OF OPERATION

The Model 1932 Power Conditioner uses spark-gap type surge suppressors, which shunt transient lightning spikes to ground. If the surges are substantial, then the externally mounted 5 amp (max.) fuse will blow. A *clean and stable 115 VAC, 60 Hz output voltage* is achieved because the Power Conditioner uses an electrically-isolated Ferro-Resonant Transformer, and a 60 Hz Oscillating Tank Circuit, which is magnetically in parallel with the secondary of the transformer. The Model 1932 is designed for use with a single load-set: **one** Model 1250 or 1255 and **one** Model 1292KS synchro transmitter.

▲ **CAUTION: DO NOT** apply power to the Model 1932 Power Conditioner without a load-set connected because circuit damage could occur.

TECHNICAL SPECIFICATIONS

Input Voltage:	105 to 135 VAC @ 60 Hz
Output Voltage:	115 VAC @ 60 Hz +/-3%
Load:	10 VA (Min.) to 25 VA (Max.)
Operating Temperature:	-40°C to 70°C (Celsius)
Mounting Position:	Any
External Input Line Fuse:	5 Amp (Max.) Not supplied, but required

INSTALLATION AND WIRING

▲ **WARNING:** MAKE SURE THE 120 VOLT AC LINE POWER IS TURNED OFF at the electrical Power Source Panel – BEFORE INSTALLATION. Failure to do so will create an electrical shock hazard, which could result in fatal injury.

Wire: Use type THHN, TFFN, or THWN – 16 AWG (min.), White, Black & Green.

- 1) Locate the mounting holes **MT1** to **MT4**. Mount the Model 1932 Power Conditioner using four #8-32 fasteners. See Figure 1 – Model 1932 Physical Details.
- 2) Install an external fuse (5 Amp maximum) and wire its **line side** to the 117 VAC line power source.

- 3) Locate the **J1** connector. Wire the **external fuse (load side)** to **J1 – Line** (Black). From the AC power source, wire: **NEUTRAL** to **J1 – NEUTRAL** (White), and **GND** to **J1 – GND** (Ground – Green). See Figure 1 Field Wiring Diagram below.
- 4) Locate the **J2** connector. Wire the Power Conditioner outputs (**J2: Out 1 = 115 VAC**, **Out 2 = Neut**, and **GND = Ground**) to the load set.

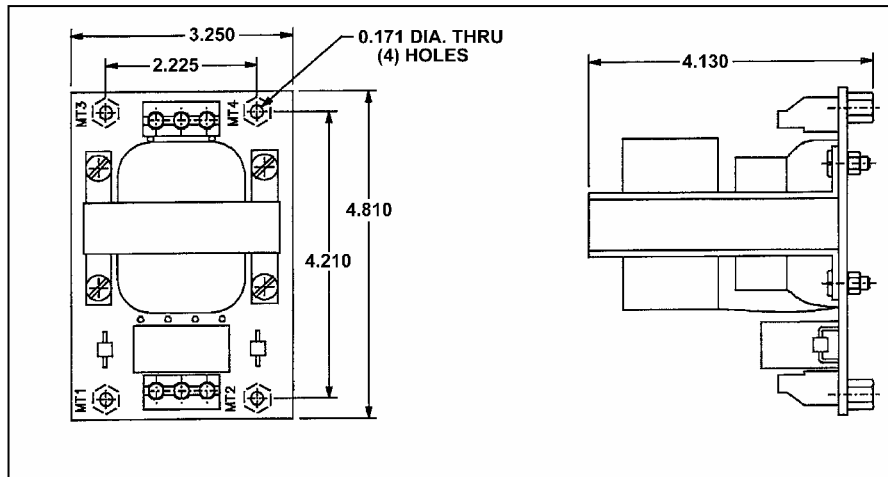


Figure 1 1932 Mounting Dimensions

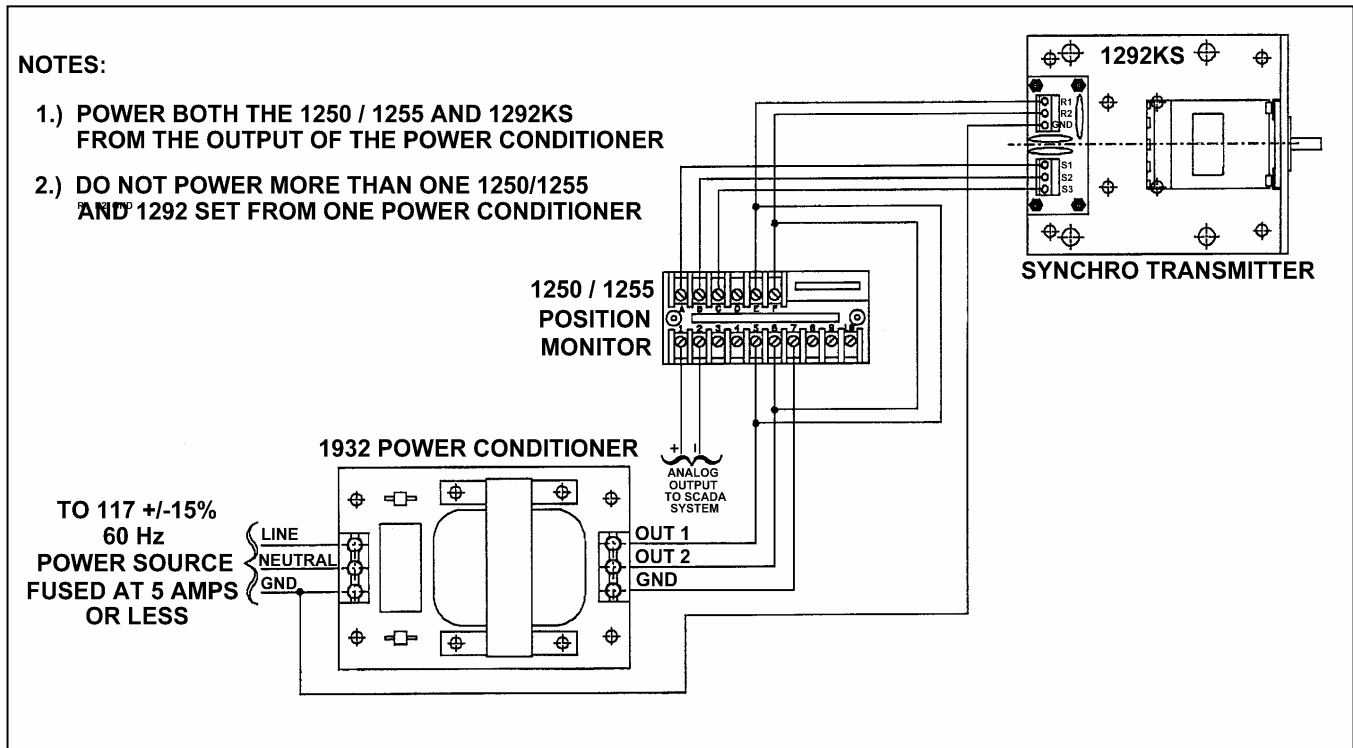


Figure 2 Field Wiring Diagram