

Advantages

- **Single Containment Sump**
Combining all tank openings into one single containment sump minimizes potential leak pathways and reduces construction time and cost.
- **Easy Access**
No special tools required for steal cover packages.
- **Customize**
Layout of piping within the OneSump is pre-engineered to assure rapid installation.
- **Spill Containment**
15 gallon primary spill containment provided by an aluminum bowl assembly with two vapor and fill riser sections.
- **Compatibility**
Stainless steel flex lines, Viton gaskets and innovative single pin clamps greatly simplify access to product and vent piping.
- **Appearance**
Reduce concrete maintenance and increase forecourt appearance with everything under one multiport containment cover.
- Fibrelite packages EQ-664 - Florida approved.

OneSump Spill Containment System

Now available with steel multiport and five gallon spill containers.

The OneSump spill containment system provides you with peace of mind that your containment system will protect your site from the most common forms of environmental contamination. You'll never have to worry about fuel leaking from direct bury spill buckets into the backfill, around the fill and vent risers, and fuel or vapor leaking from the tank top fittings. The OneSump provides the highest level of environmental protection against spill as it minimizes the leak paths to the environment. The fill port spill containment, vent risers, turbine and ATGs are secondarily contained which prevents leak exposure. Additionally, any overflow of the 15 gallon containment bowl is diverted to the tank top containment sump rather than at grade as with conventional spill bucket design. In extreme overflow events, this effectively turns the OneSump into a 200 gallon or more spill containment system.



OneSump with Fibrelite Multiport

Containment Options:



Steel Multiport



Five Gallon Spill Containers

OneSump with Steel Multiport Cover

Consult factory for customized ordering of the OneSump with steel cover and five gallon containment package.

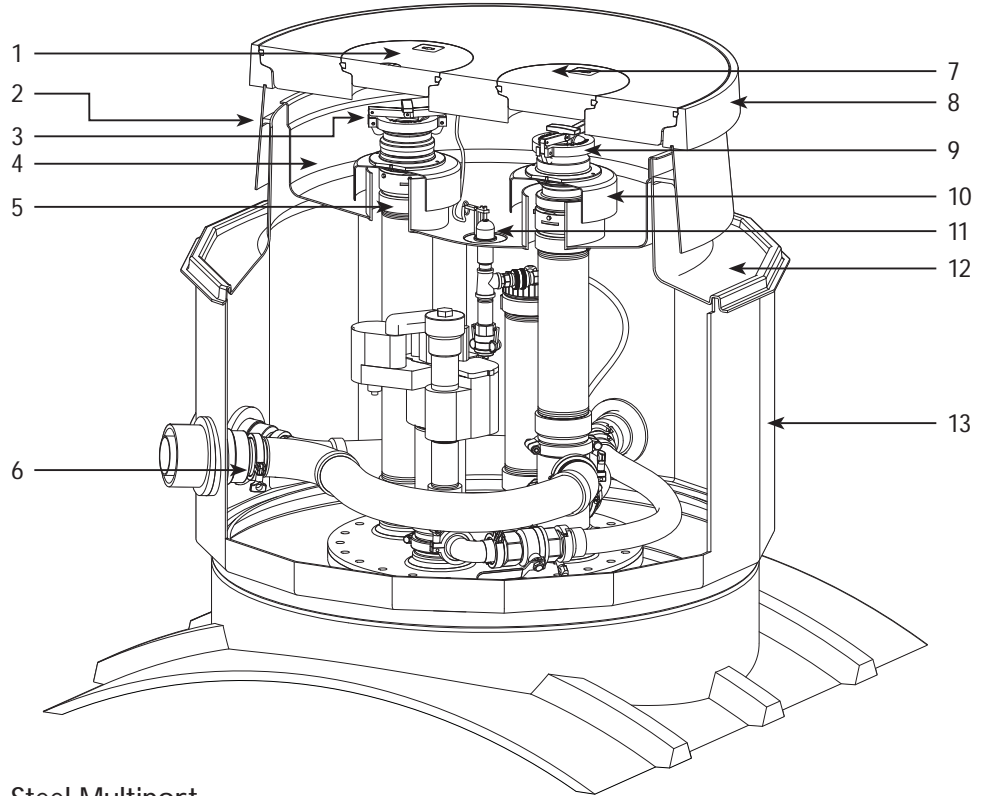
OneSump with Fibrelite Multiport Cover and 15 Gallon Containment Bowl

Model	Description
407066903	Regular, 1 product, with fiberglass containment sump
407066923	Regular, 2 product, with fiberglass containment sump
407069903	Premium, 1 product, with fiberglass containment sump
407063901	Diesel, with fiberglass containment sump
407054934	Regular, 2 product, no containment sump
407057924	Premium, 1 product, no containment sump
407058921	Diesel, no containment sump
407054924	Regular, 1 product, no containment sump

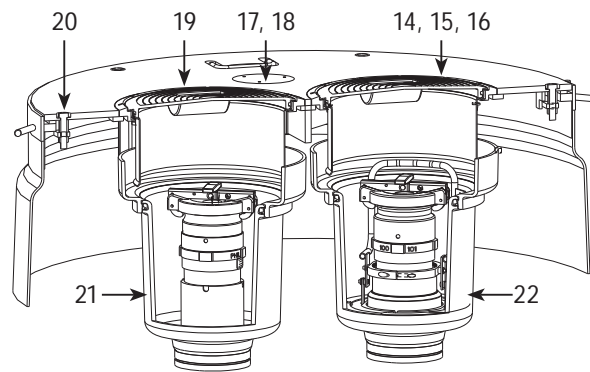
Note: Manway and piping configurations may vary. Consult FFS Technical Support before ordering. Packages require four week lead time.

OneSump Replacement Parts

OneSump with Fibrelite Multiport



Steel Multiport



Accessories

No.	Part No.	Old Part No.	Description
-	407140001	800-BK	800 bonding kit
-	407147001	FL7A	Hand tool for FL90/1
-	407046001	FNG2GK	2" viton gasket
6	407046002	FNG3GK	3" viton gasket
6	407046003	FNG4GK	4" viton gasket
-	407062001	O-RING-419	O-ring, buna 4.25" O.D.
-	407023001	R3X2A	3.5" x 2.4" reducer boot
-	407095001	R4X3A	4.5" x 3.5" reducer boot
5	MF4X4	S1-OS-1002L-40	4" NPT male/female face seal adaptor
-	70849202	S1-OS-39-0710-B	Mechanical overfill drop tube
2	407143001	S1-OS-PTI-LEVEL	Self leveling paste

Fiberglass Containment

No.	Part No.	Old Part No.	Description
12	407151001	S1-CORB-S15	54" S1 corbel centered
13	407152001	S1-CRB-S15	54" sump base
-	407153001	S1-CRB-S15-EXT	S15 sump extension
8	407108001	S1-FL100-SK10	FL100 frame and skirt assembly

Manway Hardware

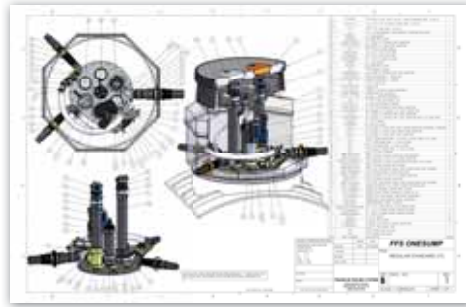
No.	Part No.	Old Part No.	Description
-	407073001	FNG0.5X76.5MNPT	1/2" x 76.5" long metal flex drain hose
-	407082001	FNG2CMP	2" single pin clamp
-	407087001	FNG2X2BV-S	2" ball valve with flange adaptors
-	407030001	FNG2X2EBW45-S	2" 45 degree EX flange short radius elbow
-	407031001	FNG2X2EBW90-S	2" 90 degree EZ flange short radius elbow
-	407089001	FNG2X2HFNPT	2" flange x 2" female NPT hex adapter
-	407032001	FNG2X2X2TEE-S	2" EZ flange short tee
-	407082002	FNG3CMP	3" single pin clamp
-	407090001	FNG3X3EBW45	3" 45 degree EZ flange elbow
-	407091001	FNG3X3MNPT-S	3" flange x 3" male NPT short adapter
-	407082003	FNG4CMP	4" single pin clamp
-	407082004	FNG6CMP	6" single pin clamp
-	407084003	FNG6CMPB	6" bolted clamp
-	407139001	S1-0.75PF	3/4" S1 conduit penetration fitting
-	407033001	S1-01-B	6" cast EZ cap with pipe insert
-	407035001	S1-03-B	6" flange x 4" female NPT cast adaptor
-	407036001	S1-04-B	6" flange x 4" male NPT cast adaptor
-	407037001	S1-05-C	6" flange x 4" male cast drop tube adaptor
-	407038001	S1-06-B	6" flange x 4" male NPT cast vapor adaptor (international threads)
-	407149001	S1-08-B-ASMBLY	6" EZ x 6" EZ x 2" cast vapor tee
-	407092001	S1-09-B-ASMBLY	6" EZ x 6" EZ x 3" cast vapor tee
-	407145001	S1-OS-2PIPE	2" pipe tightening tool
-	407138001	S1-OS-418TM-40	OneSump TLM cap

Spill Containment

No.	Part No.	Old Part No.	Description
7	407088001	S1-FC-10/ORANGE	Orange vapor port cover
1	407088002	S1-FC-10/RED	Red fill port cover
1	407088003	S1-FC-10/WHITE	White fill port cover
1	407088004	S1-FC-10/YELLOW	Yellow fill port cover
-	407074001	S1-FL100/MP	Multiport manhole cover 16" OC
-	407075001	S1-FL100/OF	Fiberglass multiport with one 10" diameter fill hole
9	30430101	S1-OS-0614VC-30	Vapor cap
3	77720101	S1-OS-733-40	Product cap with chain assembly
4	407096001	S1-OS-CB-1	Removable containment bowl assembly, one opening
-	407098001	S1-OS-CB-2	Removable containment bowl assembly, two openings
11	407077001	S1-OS-CB-DT	Drain assembly
-	407079001	S1-OS-DCA-DIES	Drip cap assembly, diesel
10	407136001	S1-OS-DCA-PREM	Drip cap assembly, premium
-	407129001	S1-OS-DCA-REG	Drip cap assembly, regular
-	407132001	S1-OS-DCA-VAPOR	Drip cap assembly, vapor
-	407119001	S1-OS-D-SCREEN	Drain screen
14	602407905	-	White fill port cover for steel multiport
15	602407903	-	Red fill port cover for steel multiport
16	602407906	-	Yellow fill port cover for steel multiport
17	SC-1501-S	-	Small cam lock assembly for 8" access cover
18	AC-0800-0-RING	-	8" access cover o-ring
19	602407909	-	Orange vapor port cover for steel multiport
-	SC-1513V	-	Seal for vapor and fill port covers
20	SC-1501-L	-	Large cam lock assembly for 42" steel cover
-	781-341-01	-	Lift tool for Fiberlite cover
21	85100-EXT	-	5 gallon spill container with drain
22	85101-EXT	-	5 gallon spill container without drain

Fully Customized

Let us simplify your tank containment needs from design to installation. Each OneSump package is fully customized to meet your site specific containment, piping, pumping, filling, vapor recovery and inventory level monitoring needs. A single package part number is provided to simplify the order process and each package is delivered sealed to the site in one box to ensure all components arrive at the same time.



Installation, Access, Maintenance...Simplified

The complete OneSump system provides innovative components and installation techniques to provide one of the most user-friendly containment solutions in the industry. From the installation to the maintenance stage, the OneSump offers easy to use components which are designed with the technician in mind. The complete system can be fully installed by one or two technicians saving you in installation costs on top of the savings from not having to install an additional turbine sump.

The OneSump systems flanged extractor vent provides 360 degree directional adjustment while installed. The extractor vent is installed with a custom installation tool which installs flange adaptors onto manways to maintain

flange seal surface integrity.

The fill drop tube and overflow prevention valve are installed through a flanged fill riser extractor vent which allows for the ullage of the tank to remain isolated from the drain valve. Stainless steel flex lines, Viton gaskets and single pin clamps used for product and vent piping connections make for simple maintenance and easy access.



Flanged Extractor Vent



Once installed, a technician can access the tank manway in less than a minute. Simply remove the cover, remove the spill bowl and then remove the drain connection and the technician has enough room to fit inside the containment sump for maintenance. The complete OneSump system can be disassembled without the need of a pipe wrench, allowing a technician maximum room inside of the OneSump workspace.

