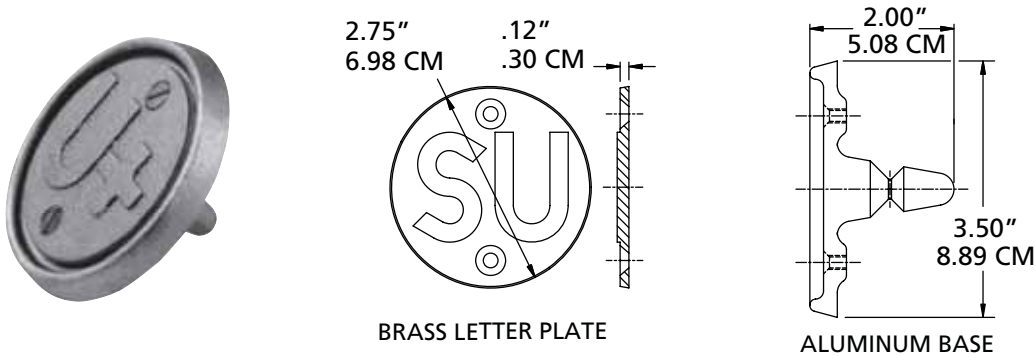




Model 787 Series Fuel Identification Markers

This interchangeable identification marker allows quick, visual identification of tank contents, eliminating the danger of wrong product fill. The aluminum base is easily set in soft concrete and removable brass letter plates are fastened to the base. When the tank contents change, the letters are easily changed to reflect the new product. The marker kit is available in eight standard letter codes.

MATERIALS
Body: Aluminum
Plate: Brass



PART	DESCRIPTION	IN.	MM.	BRASS LETTER PLATE ONLY	LBS.	KG.
787-100-03	D - Diesel kit	3.5 x 2.0	89 x 51	787-102-03	0.6	0.3
787-100-06	SU - Super Unleaded kit	3.5 x 2.0	89 x 51	787-102-06	0.6	0.3
787-100-07	P - Premium kit	3.5 x 2.0	89 x 51	787-102-07	0.6	0.3
787-100-09	RU - Regular Unleaded kit	3.5 x 2.0	89 x 51	787-102-09	0.6	0.3
787-101-01	Aluminum base only	3.5 x 2.0	89 x 51		0.3	0.1

Model 787 Series Fill Identifier



Tank contents and capacity are easily identified with this color-coded fill identifier. Colored identifiers allow instant identification of the tank's contents and a solid brass plate, inscribed with maximum fill levels, helps prevent tank overfill and product mixing. The identifier and brass plate are permanently attached to the cast iron base which is set in soft concrete, flush with surrounding pavement. The identifier kit is available in five product-coded colors.

MATERIALS
Body: Cast Iron
Plate: Brass

PART	DESCRIPTION	IN.	MM.	LBS.	KG.
787-103-02	Replacement plate "Fill"	1.5 x 3.5	38 x 89	0.3	0.1
787-103-03	Replacement plate "Vapor"	1.5 x 3.5	38 x 89	0.3	0.1
787-201-01	Red - High-Grade Unleaded kit	4.0 x 5.0	102 x 127	4.3	1.9
787-201-02	White - Low-Grade Unleaded kit	4.0 x 5.0	102 x 127	4.3	1.9
787-201-03	Yellow - Diesel kit	4.0 x 5.0	102 x 127	4.3	1.9
787-201-04	Blue - Mid-Grade Unleaded kit	4.0 x 5.0	102 x 127	4.3	1.9
787-201-05	Orange - Vapor Recovery kit	4.0 x 5.0	102 x 127	4.3	1.9
787-200-01	Iron box only	5.0 x 6.8	127 x 173	3.9	1.8

