

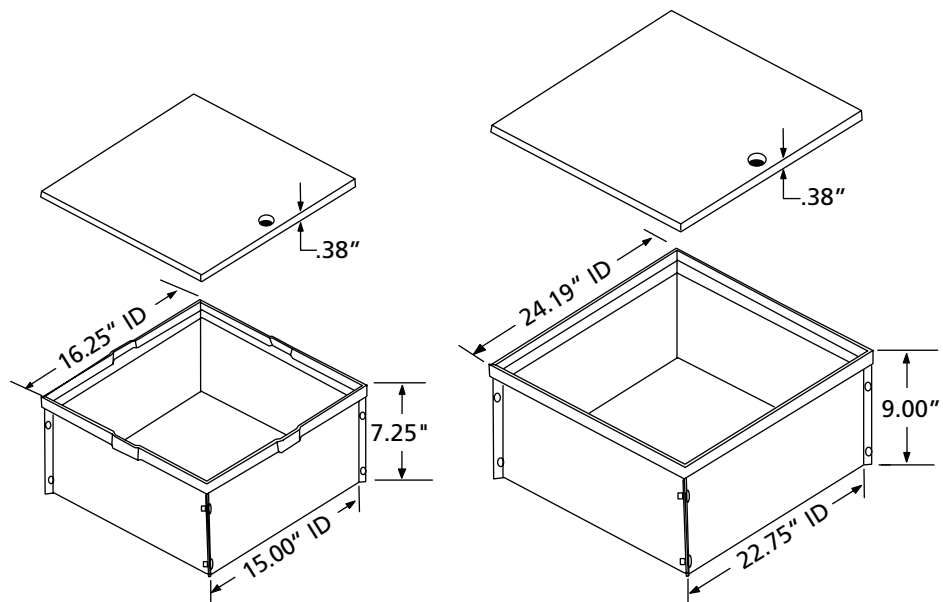
# Service Station Hardware



## 16" & 24" Square Manholes with Knock Down Skirts

EBW's square manholes feature a 3/8" diamond back steel plate cover with a galvanized steel skirt. Available in 16" x 16" and 24" x 24" dimensions, and meet D.O.T. H20 load rating. Each is individually boxed with skirt in knock down form for easy handling and storing.

- Design Highlights & Advantages:**
- Heavy Duty Covers - all EBW square manholes feature a 3/8" diamond back steel plate cover.
  - Convenient Packaging - shipped in individual boxes with knock down skirts making handling and storage easy. Skirts are easily assembled using the provided hardware.



PART	SIZE		SKIRT DEPTH		LBS.	KG.
	IN.	MM.	IN.	MM.		
987-100-01	16 x 16	406 x 406	7.5	190.5	38.5	17.5
987-200-01	24 x 24	610 x 610	9	228.6	82.0	37

## Replacement Covers

PART	COVER TYPE
789-203-01	16" x 16" steel cover
987-201-01	24" x 24" steel cover
11011-05	Bolts
11021-03	Nuts