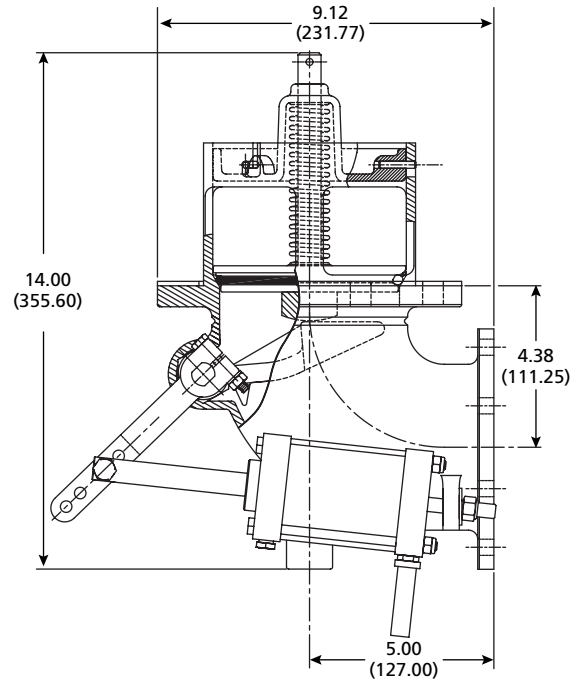




Air Assisted 90 Degree Emergency Valve (Flanged)

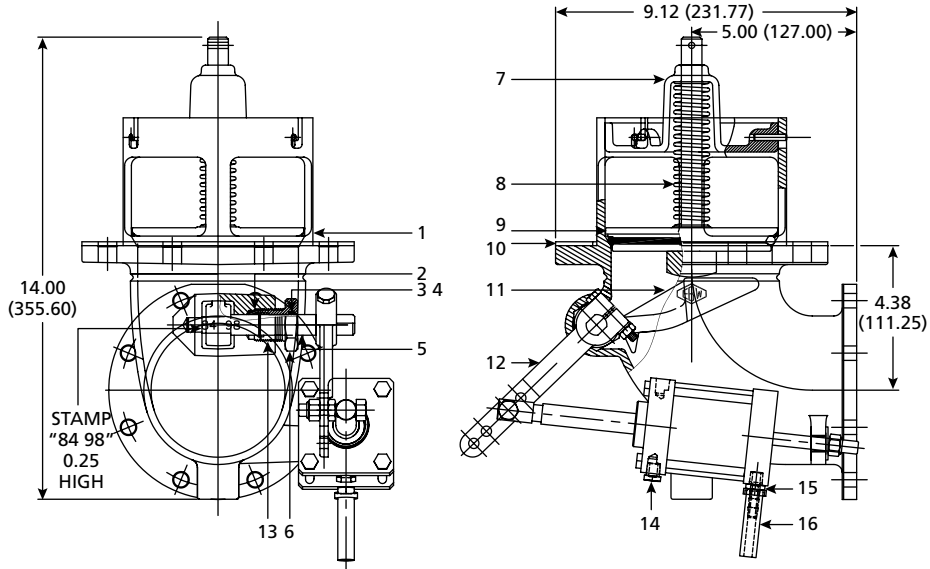
880-433-01



MODEL UNIT	880-433-01
Weight (Pounds/Kilograms)	13.0/5.9



Air Assisted 90 Degree Emergency Valve (Flanged) Parts List



#	PART NAME	PART NUMBER	#	PART NAME	PART NUMBER
1	Air Cylinder	880-350-02	9	Poppet Spring	1135701
2	4" Flanged Emergency Valve Body	880-428-01	10	Poppet Assembly	880-263-01
3	3/16" SYN PTFE Packing	1135801	11	Emergency Valve Sump Gasket	1138801
4	O-ring FLC #2-114	1103920	12	Cam	880-233-01
5	Spirol Retaining Ring	1109008	13	Cam Lever Assembly	880-265-01
6	Cam Shaft	880-241-01	14	Fusible Metal Pipe Plug, 1/8-27 NPT	1152601
7	Stuffing Box Nut	880-242-01	15	Male Push-on Hose Fitting	1149401
8	Emergency Valve Retainer Assembly	880-264-01	16	Rubber Hose - Push-on Fitting	880-159-01

PART NUMBER	DESCRIPTION
880-433-01	4" Standard Flanged Outlet Seal with External Air Cylinder