

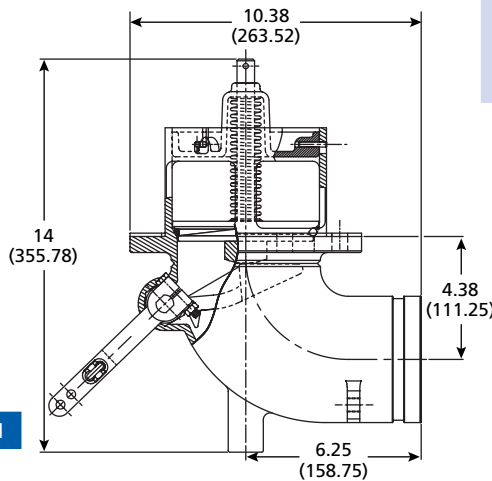


Mechanically Operated 90 Degree Emergency Valve (Victaulic)

Emergency Valves make product handling safer. EBW Emergency Valves have a shear groove that meets 49 CFR 178.345-8. The seat area of the valve is located inside the tank shell as required by DOT regulations.

This valve gives you the advantage of a faster flow rate while fitting a standard 4" TTMA sump. The high flow rate is established by a full opening throat area. EBW Emergency Valves are available in 90 degree elbow type or straight type, 4" TTMA flanges or victaulic outlet, and mechanical or air assisted.

880-430-01



Features

- High flow rate.
- Fits standard 4" TTMA sump.
- Shear section per TTMA, RP84-92 and meets DOT 49 CFR 178.345-8.
- Force ratings from TTMA RP86-92.
- Shear groove meets DOT 406 requirement.
- Optional external air cylinder available.
- Available in victaulic or flanged version.
- Fluorocarbon O-ring.

MODEL UNIT

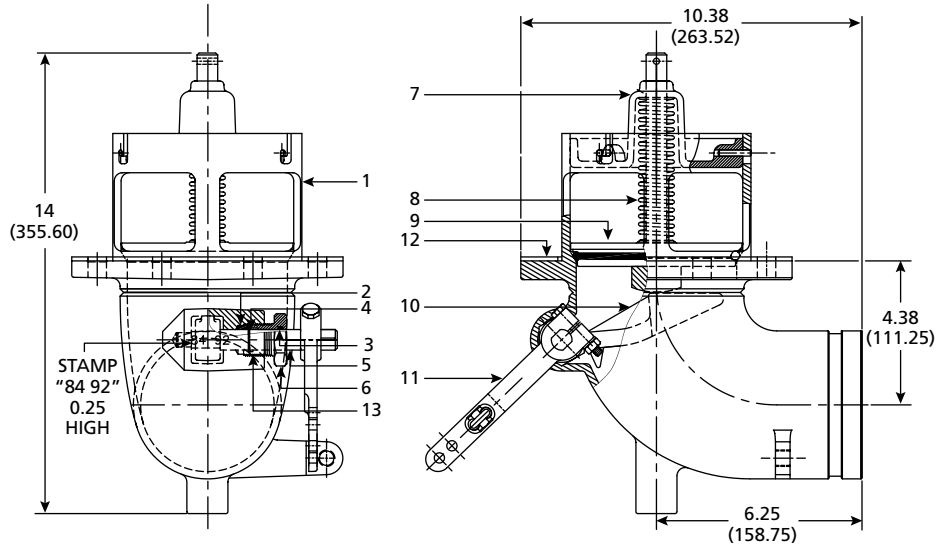
880-430-01

Weight (Pounds/Kilograms)

11.0/4.99



Mechanically Operated 90 Degree Emergency Valve (Victaulic) Parts List



#	PART NAME	PART NUMBER	#	PART NAME	PART NUMBER
1	Emergency Valve Victaulic 4" Body	880-428-01	8	Poppet Spring	1135701
2	3/16" SYN PTFE Packing	1135801	9	Poppet Assembly	880-263-01
3	O-ring FLC #2-114	1103920	10	Cam	880-233-01
4	Spirol Retaining Ring	1109008	11	Cam Lever Assembly	880-265-01
5	Cam Shaft	880-241-01	12	Emergency Valve Sump Gasket	1138801
6	Stuffing Box Nut	880-242-01	13	Anti-seize Lubricant	1114401
7	Emergency Valve Retainer Assembly	880-264-01			

PART NUMBER	DESCRIPTION
880-430-01	4" Standard Victaulic Outlet Seal