



Advantages

• Long Life

Front API head may be rotated up to seven times to maximize the life of the adapter.

Enhanced 3.5" sight glass provides greater impact strength and is compatible with Biofuels including E85 and Biodiesel.

• Safety

Free floating poppet is opened by pressure from the terminal adapter probe to minimize spills during loading.

• Speed of Delivery

The cam design utilized to retract the adapter poppet minimizes product flow restriction during off loading and loading.

• Compatibility

Fully compatible with biofuels including E85 and Biodiesel.

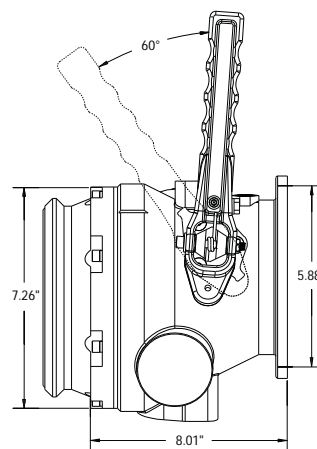
API Bottom Loading Adapters

Loading and off-loading fuel from a transport truck is easier than ever with the bottom loading adapters from Franklin Fueling Systems. While loading, the free floating poppet opens under pressure allowing the handle to remain in the closed position. This minimizes spillage caused by leaving the handle in the open position when disconnected from the bottom loader. The adapter handle is offered in aluminum or nylon and provides two open positions of flow allowing the delivery driver to manage the flow rate while off-loading fuel from the truck.

The lightweight, heavy-duty adapter is engineered and tested to meet API RP 1004 specifications and is fully compatible with biofuels including E85 and Biodiesel. The outer end is made of hard coated aluminum and rotates seven times to maximize the products life and prevent wear that can be caused by terminal off-loading couplings. The inner wall of the adapter is fully tapered, minimizing product retention inside of the valve when off loading is complete. Each model is compatible with all API dry disconnect couplers and are constructed with a standard TTMA 4" tank truck flange and mounting lugs for FFS air interlock valves. Sight glass options are mounted on the side of the valve to maximize visibility during fuel transfer and are available in 1" and 3.5" sizes. Fuel loading and off loading management has never been easier, safer or more efficient.



Short Stroke, 3.5" Sight Glass



880-500-01



880-500-02

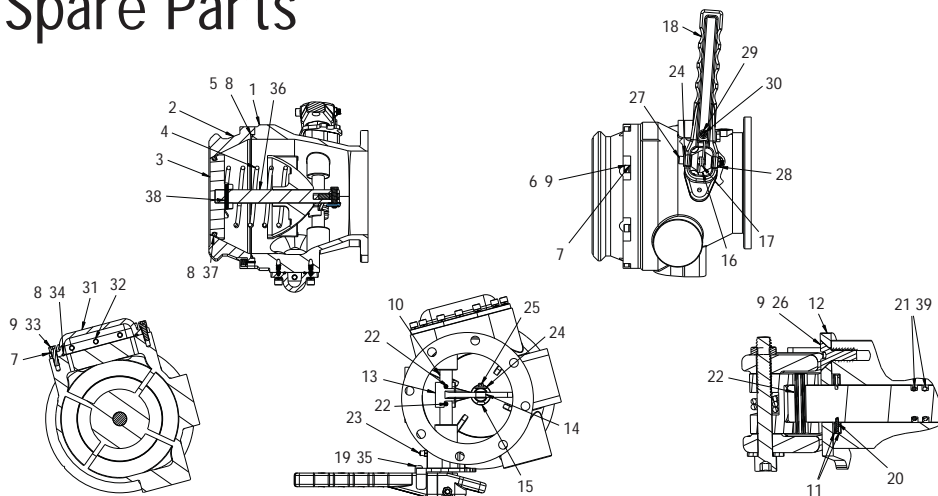


880-500-03

Model	Description
880-500-01	Non-openable
880-500-02	Short stroke three position, no sight glass
880-500-03	Short stroke three position, 1" sight glass
880-500-04	Short stroke three position, 3.5" sight glass
880-500-07	Short stroke, removable handle, no sight glass



Spare Parts



Item	Description	Part Number	880-500 Model
1	Tank adapter with handle for 1" sight glass	880-502-03	-03
	Tank adapter with handle for 3.5" sight glass	880-502-04	-04
2	Adapter, API	880-501-01	-01, -02, -03, -04, -07
3	Poppet head	880-509-01	-01, -02, -03, -04, -07
4	Spring, poppet	880-127-01	-01, -02, -03, -04, -07
5	O-ring	11039-38	-01, -02, -03, -04, -07
6	Cap screw, socket head, 1/4-20 x 1"	11170-15	-01, -02, -03, -04, -07
7	Lock washer, 1/4", high collar	400263003	-01, -02, -03, -04, -07
8	Petroleum jelly	11378-01	-01, -02, -03, -04, -07
9	Anti-seize lubricant	11144-01	-01, -02, -03, -04, -07
10	Shaft, cross	880-510-01	-02, -03, -04, -07
11	Washer, flat, 5/8" ID	880-191-01	-02, -03, -04, -07
12	Latch dual	880-506-01	-02, -03, -04, -07
13	Cam, loading arm	880-215-01	-02, -03, -04, -07
14	Roller, cam	880-190-01	-02, -03, -04, -07
15	Pin, roller cam	880-189-01	-02, -03, -04, -07
16	Hex, permanent handle	880-198-01	-02, -03, -04
17	Spring, handle	880-102-01	-02, -03, -04
18	Handle, dual latching	880-505-01	-02, -03, -04
	Handle, dual latching (Canada)	880-505-03	-07
19	Pin, latch	880-192-01	-02, -03, -04, -07
20	Retaining ring, 5/8"	11001-06	-02, -03, -04, -07
21	O-ring, cross shaft	11039-12	-02, -03, -04, -07
22	Pin, 3/16", spiro	11086-04	-02, -03, -04, -07
23	Fitting, grease	11111-01	-02, -03, -04, -07
24	Washer, flat, 1/4" ID	11136-01	-02, -03, -04, -07
25	Pin, 3/32 x 1/2" cotter	11460-01	-02, -03, -04, -07
26	Screw, flat head 1/4-20 x 5/8"	11067-06	-02, -03, -04, -07
27	Cap screw, socket head 1/4-20 x 2"	11170-16	-02, -03, -04
28	Locknut, 1/4-20	11041-05	-02, -03, -04
29	Washer, flat, .203 ID	11275-07	-02, -03, -04, -07
30	Cap screw, socket head, 10-24 x 5/8"	11030-10	-02, -03, -04, -07
31	Sight glass, 1" bubble	880-511-01	-03
	Sight glass, 3.5" bubble	880-512-01	-04
32	Ball, float indicator, 1/4", orange	880-124-01	-03
33	Cap screw, socket head, 1/4-20 x 3/4"	11170-17	-03, -04
34	O-ring, sight glass, 1" bubble	11039-36	-03
	O-ring, sight glass, 3.5" bubble	11039-37	-04
35	Thread locker	12002-01	-02, -03, -04, -07
36	Stem, cam	880-513-01	-02, -03, -04, -07
37	O-ring, poppet	400333343	-02, -03, -04, -07
38	Spirol pin	11086-06	-02, -03, -04, -07
39	Lubricant, O-ring	11529-01	-02, -03, -04, -07
40	Ball, flow indicator, 3/8", green	880-124-02	-03



www.franklinfueling.com
 3760 Marsh Road • Madison, WI 53718, USA
 Tel: +1 608 838 8786 • Fax: +1 608 838 6433
 Tel: USA & Canada 1 800 225 9787 • Tel: Mexico 001 800 738 7610

