



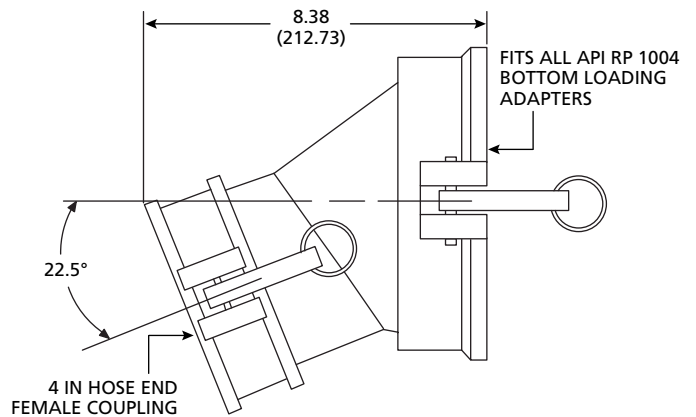
Female Gravity Drop Adapter

Let gravity do all the work with these high strength, corrosion-resistant adapters.

A 22.5 degree angle makes service station drops a breeze with easy hose coupling and fast, unrestricted off-loading. Engineered to mate with API RP 1004 Bottom Loading Adapters, each adapter comes with a heavy-duty attachment chain and uses a large, resilient gasket that guarantees minimum product loss. The lightweight adapters are available in 3" male NPT or male cam and groove; 4" male NPT, male cam and groove or female cam and groove.

- | Features |
|--|
| ▪ Heat-treated, anodized alloy body. |
| ▪ Buna-N gaskets. |
| ▪ Forged bronze cams and stainless steel pins. |
| ▪ Meets API RP 1004 specifications. |

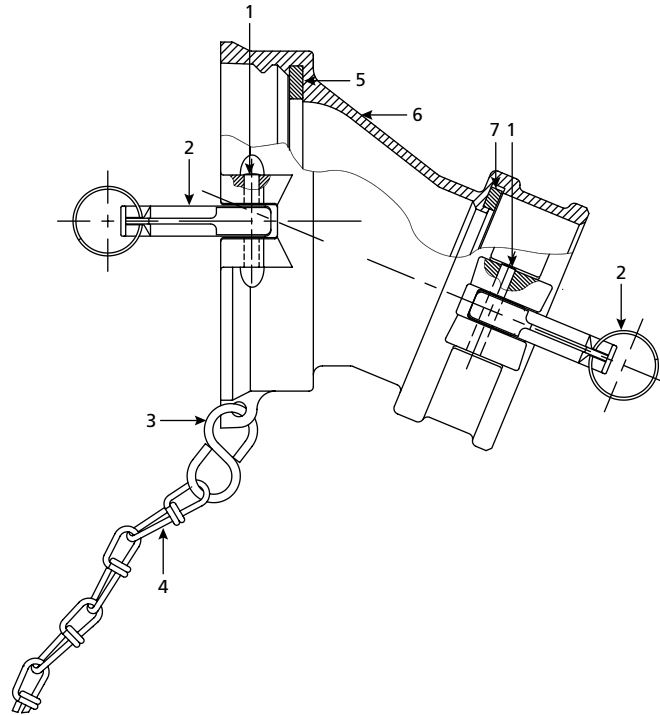
880-330-01



MODEL UNIT	880-330-01
Size (Inches/Millimeters)	4.00/101.6
Weight (Pounds/Kilograms)	6.06/2.75



Female Gravity Drop Adapter Parts List



#	PART NAME	PART NUMBER	#	PART NAME	PART NUMBER
1	Groove Pin	11125-07	5	Gasket	880-206-01
2	Cam Arm & Ring Assembly	774-116-03	6	Angle Drop Adapter	880-435-01
3	S-Hook	11110-01	7	Gasket	774-202-04
4	Double Loop Chain	880-115-02			

PART NUMBER	DESCRIPTION
880-330-01	Female Gravity Drop Adapter
880-206-01	Gasket - API End
774-202-04	Gasket - Hose End