



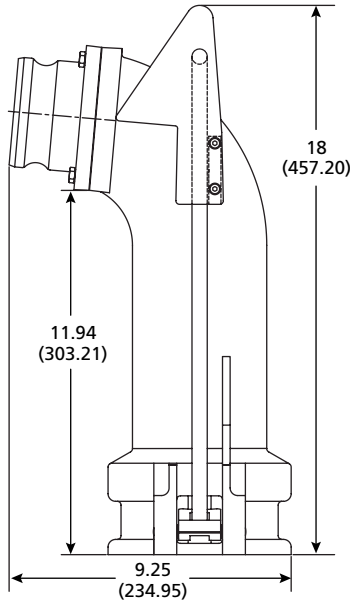
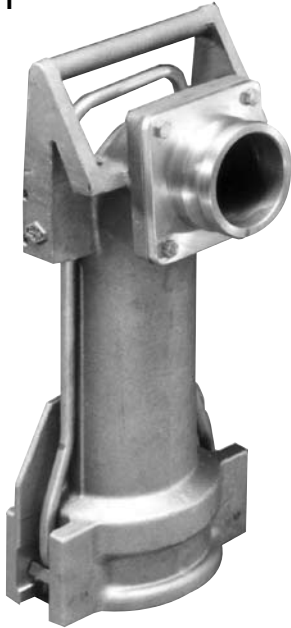
Dual Point Vapor Recovery Elbow

This durable cast aluminum elbow ensures complete vapor recovery for dual point systems, and can be ordered with a variety of different adapters to meet any requirement. The simple four bolt flange design allows for easy replacement of adapters over competitive threaded styles. Its low profile design allows for convenient storage and the specially designed quick grip one hand operation handle allows for easy on and off attachments.

Features

- Cast aluminum.
- Compact, low profile design.
- Four bolt flange pattern.
- Protective base shield.

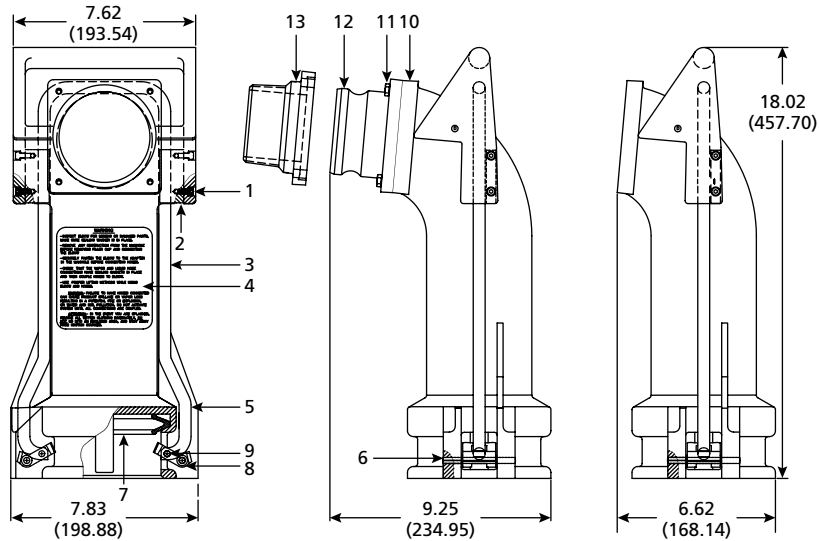
880-465-01



MODEL UNIT	880-460	880-465-01
Size (Inches/Millimeters)	—	3/76.2
Weight (Pounds/Kilograms)	11/4.99	12.38/5.62



Dual Point Vapor Recovery Elbow Parts List



#	PART NAME	PART NUMBER	#	PART NAME	PART NUMBER
1	#10 - 24 x 1/2 Socket Head Cap Screw	11170-12	8	Locking Cam	880-245-01
2	Handle Retainer Block	880-246-01	9	Grooved (Straight) Pin	11126-01
3	Vapor Elbow Body	880-469-01	10	Adapter Flange Gasket	880-247-01
4	Pressure Sensitive (Warning) Label	880-107-01	11	Screw - 5/16-18 x 1 Hex Head Stainless Steel	11176-20
5	Vapor Elbow Locking Bar	880-391-01	12	3" Coupling Adapter	880-396-01
6	Grooved (Straight) Pin	11126-07	13	3" NPT Adapter	880-397-01
7	Elbow Seal	870-200-01			

PART NUMBER	DESCRIPTION
880-460-01	Body Only
880-465-01	3" Male Cam & Groove Adapter
880-465-02	3" Male NPT Adapter