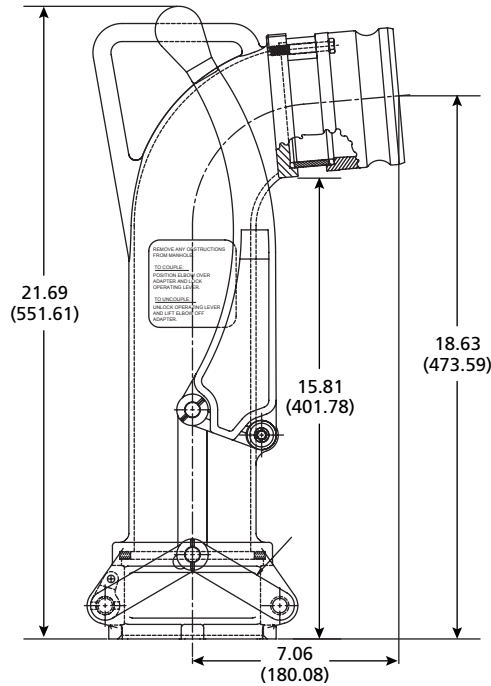




This durable 22-inch tall product elbow was designed for those deep tank burial applications and has a high flow rate due to the unrestricted flow pattern. It fits all 4-inch top seal adapters and can also be ordered with a variety of different adapters to meet any requirement. The single four bolt flange design allows for easy replacement of adapters over competitive threaded styles and is designed for extremely easy on- and off-coupling due to aluminum bronze alloy docking.

**880-493-02**



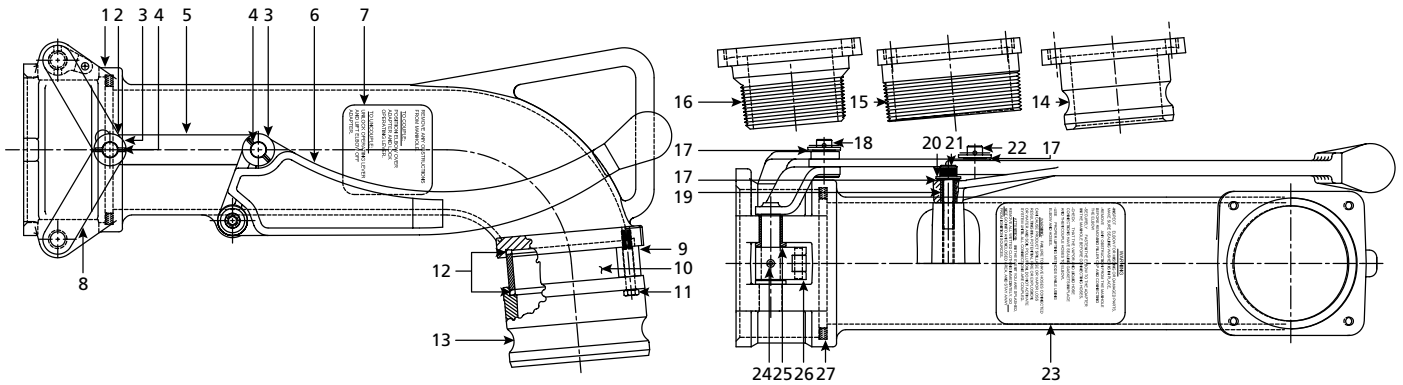
**Features**

- Lightweight cast aluminum.
- Four bolt flange pattern fits all 4-inch seal adapters.
- Protective base shield.
- Unique cam locking handle for easy on/off coupling.
- 22 inches tall for deep tank burial applications.

MODEL UNIT	880-493-01	880-493-02
Weight (Pounds/Kilograms)	12.3/5.58	13/5.9
Size (Inches/Millimeters)	—	4.00/101.6



## Product Drop Elbow Parts List

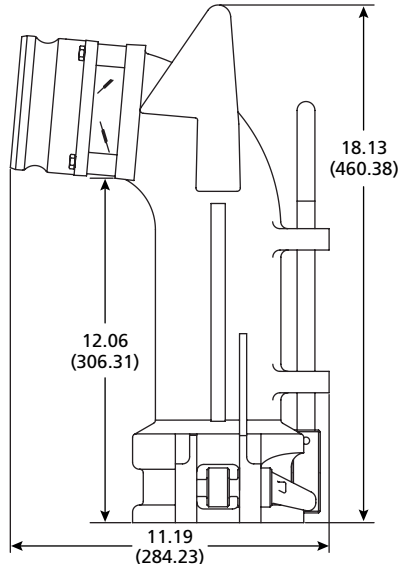


#	PART NAME	PART NUMBER	#	PART NAME	PART NUMBER
1	Product Elbow Dual Point Body	881-408-01	15	4" NPT Adapter	880-289-01
2	Rear Arm Assembly	880-136-01	16	3" NPT Adapter	880-397-01
3	Washer - 1/2" x 1"	1110805	17	Wave Spring	1119001
4	Rollpin - 1/8" x 1"	1100403	18	Connecting Pin	880-138-01
5	Connecting Link	880-139-01	19	Shoulder Spacer	880-149-01
6	Operating Handle	880-482-01	20	Washer - 3/8 Plain SAE	1110804
7	Operational Instruction Label	880-104-01	21	Screw - 3/8-16 x 1.5" Hex Socket	1119601
8	Front Arm Assembly	880-135-01	22	Connecting Pin	880-138-02
9	Sight Tube Spacer	880-151-01	23	Warning Label	880-107-01
10	Sight Tube	880-162-01	24	High Alloy Groove Pin	1118801
11	Screw - 5/16-18 x 2.0 Hex	1117616	25	Flanged Bushing	1118601
12	Sight Glass Seal	880-140-01	26	Cam Assembly Insert	880-121-01
13	4" Dia. Coupling Adapter	880-284-01	27	Seal	880-141-01
14	3" Cam & Groove Adapter	880-396-01			

PART NUMBER	DESCRIPTION
880-493-01	Product Elbow Dual Point - No Adapter
880-493-02	4" Cam and Groove Adapter with Sight Glass 21" tall
881-409-01	Product Elbow Short, No Adapter
880-494-02	4" Cam and Groove with Sight Glass 18" Tall



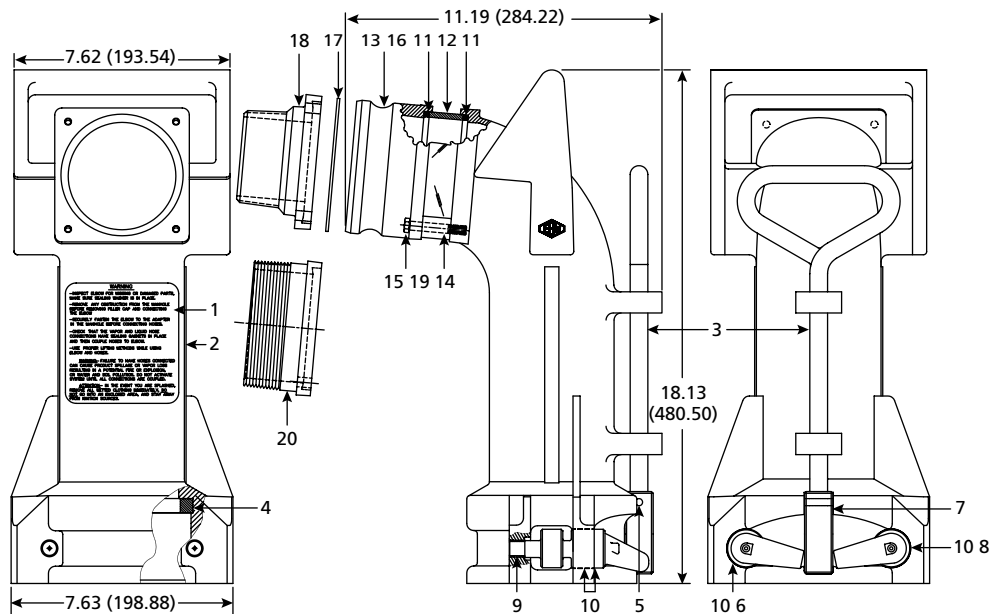
880-455-01



MODEL UNIT	880-450-01	880-455-01
Weight (Pounds/Kilograms)	13.75/6.24	16/7.26
Size (Inches/Millimeters)	—	4.00/101.6



## Product Drop Elbow Parts List



#	PART NAME	PART NUMBER	#	PART NAME	PART NUMBER
1	Pressure Sensitive Label	880-107-01	11	Sight Tube Seal	880-140-01
2	Product Elbow Body	880-459-01	12	Sight Tube	880-162-01
3	Product Elbow Handle	880-237-01	13	4" Cam & Groove Adapter	880-284-01
4	Product Elbow Seal	11308-01	14	Sight Tube Spacer	880-151-01
5	Pin Spirol	11086-05	15	Screw - 5/16-18 x 2 Hex Head Cap, Stainless Steel	11175-16
6	Locking "Right" Cam	880-310-10	16	3" Cam & Groove Adapter	880-396-01
7	Handle Block	880-238-01	17	Adapter Flange Gasket	880-247-01
8	Locking "Left" Cam	880-310-02	18	3" NPT Adapter	880-397-01
9	Bushing	11420-01	19	Screw - 5/16-18 x 1 Hex Head, Stainless Steel	11176-20
10	Anti-seize & Lubricant	11144-01	20	4" NPT Adapter	

PART NUMBER	DESCRIPTION
880-450-01	Body Only
880-455-01	4" Male Cam & Groove with S.G.