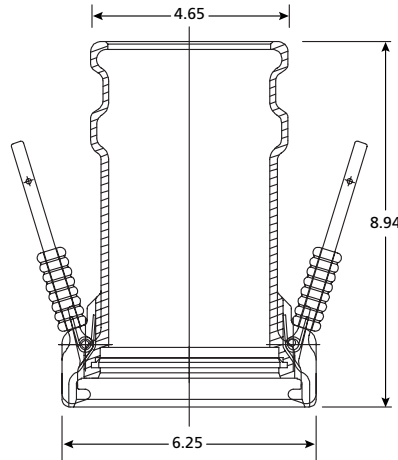




The Side Seal Adapter is designed to give flexibility to top seal drop elbows. Your 4" top seal delivery elbow can now be used on a side 4" seal fill adapter. You don't have to bring a separate side seal elbow, which reduces cost and the number of fittings required on your truck.

Two lever clamps secure the adapter to the station's side seal fitting and allow a 4" elbow to attach to the adapter. Special locking rings prevent accidental cam arm release during filling. Cast aluminum makes the side seal adapter light and strong. The specially designed seal gives you the added insurance that no leaks will occur.

880-445-01



Features

- Designed for use with 4" side seal service station fittings.
- Lightweight.
- Cast aluminum body.
- Special innovative seal design.
- No separate side seal elbow to transport.
- Locking rings to prevent accidental cam arm release during filling.

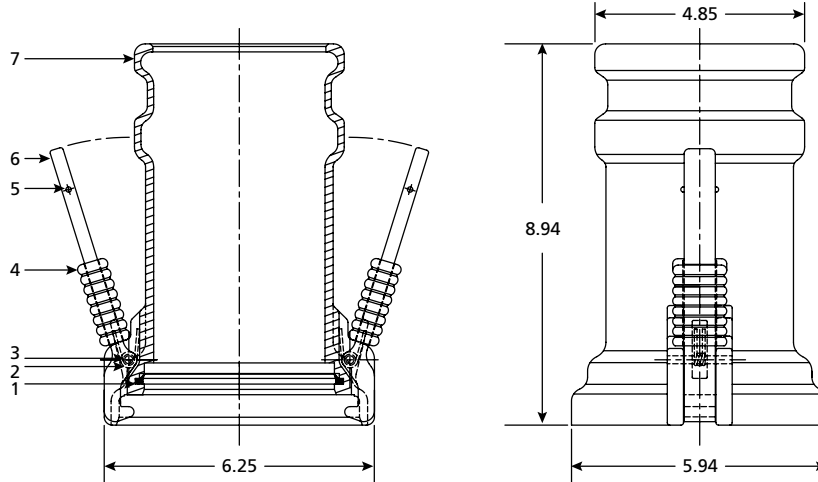
MODEL UNIT

880-445-01

Weight (Pounds/Kilograms)

10.0/4.58

Side Seal Adapter Parts List



#	PART NAME	PART NUMBER	#	PART NAME	PART NUMBER
1	Seal	881-202-01	5	Pin, 0.125 x 0.875, Groove Type "E"	11459-01
2	Release Lever Spring	881-103-01	6	Release Lever	881-200-01
3	Pin, 0.187 x 1.500, Groove Type "C"	11126-08	7	Side Seal Adapter Body	880-446-01
4	Release Lever Interlock	881-201-01			

PART NUMBER	DESCRIPTION
880-445-01	Side Seal Adapter