



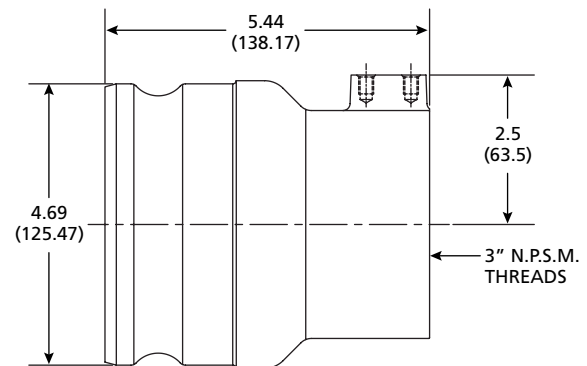
Threaded Vapor Check Valve

Use this Vapor Check Valve to return vapor to the truck during terminal loading and service station drops. The 3-inch poppet opens when coupled and closes when disconnected, preventing the vapors from escaping into the atmosphere. The valve has 3-inch or 4-inch female NPSM threads, a 4-inch cam and groove, and tapped mounting holes for the EBW Air Interlock Brake. The 303 series is available without a poppet to serve as a male quick coupler with an Air Interlock Valve mounting pad.

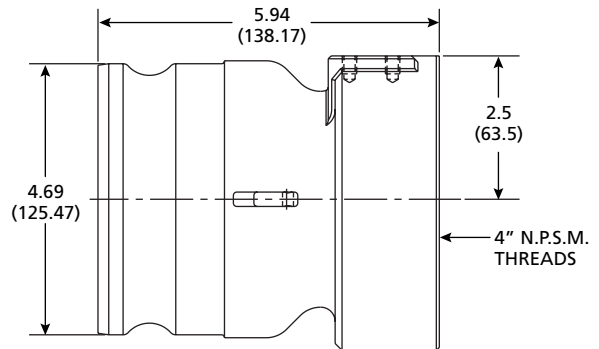
Features

- Anodized aluminum construction.
- Stainless steel stem and spring.
- Buna-N gasket.
- Aluminum guide.

301-300-01



303-444-04

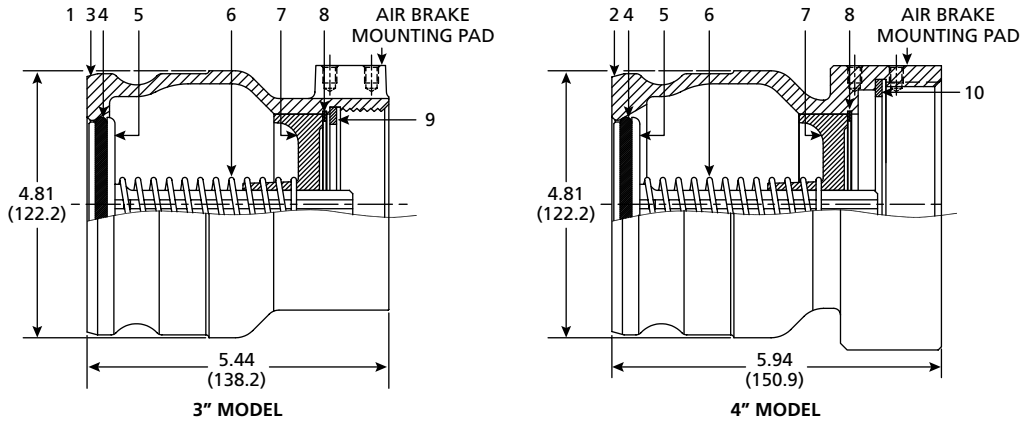


MODEL UNIT	301-300-01	301-300-02	303-333-03	303-444-04
Poppet	Yes	Yes	No	No
Thread Size	3.00-NPSM	4.00-NPSM	3.00-NPSM	4.00-NPSM
Weight (Pounds/Kilograms)	4.50/2.04	4.81/2.18	3.81/1.73	4.31/1.96



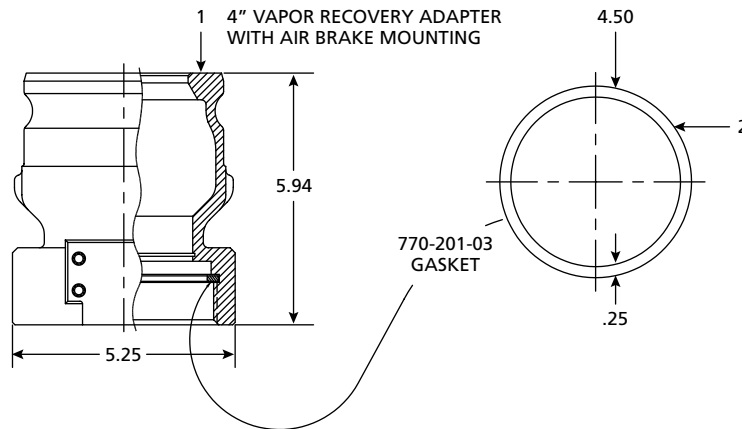
Threaded Vapor Check Valve Parts List

301-300-01/301-300-02



#	PART NAME	PART NUMBER	#	PART NAME	PART NUMBER
1	Vapor Recovery Adapter - 3" N.P.S.M.	300-305-02	6	Spring - Poppet	300-105-01
2	Vapor Recovery Adapter - 4" N.P.S.M.	300-302-02	7	Guide - Poppet Stem	300-205-01
3	Vapor Recovery Adapter - 3" B.S.P.P.	300-305-32	8	Retaining Ring	11090-02
4	O-ring	11039-15	9	3" Gasket Cover	770-201-02
5	Poppet	300-203-01	10	4" Gasket Cover	770-201-03

303-444-04/303-333-03



#	PART NAME	PART NUMBER	#	PART NAME	PART NUMBER
1	4" Vapor Recovery Adapter	300-302-02	2	Gasket 3" Fill Adapter	770-201-02
1	3" Vapor Recovery Adapter	300-305-02	2	Gasket Cover	770-201-03

303-333-03

PART NAME	PART NUMBER
3" N.P.S.M. Vapor Recovery Adapter, with Poppet	301-300-01
4" N.P.S.M. Vapor Recovery Adapter, with Poppet	301-300-02
3" N.P.S.M. Vapor Recovery Adapter, No Poppet	303-333-03
4" N.P.S.M. Vapor Recovery Adapter, No Poppet	303-444-04