



These lockable vapor caps act like dust covers, but won't activate the Air Interlock Valve when used on vapor check valves and adapters. Iron-copper infiltrated cams create a solid push-down-and-pull-up movement for quick, easy removal and replacement; steel latches hold the caps secure. Orange in color to indicate vapor recovery, the caps can be used with any 4-inch male cam and groove. Caps also available with finger ring and chains.

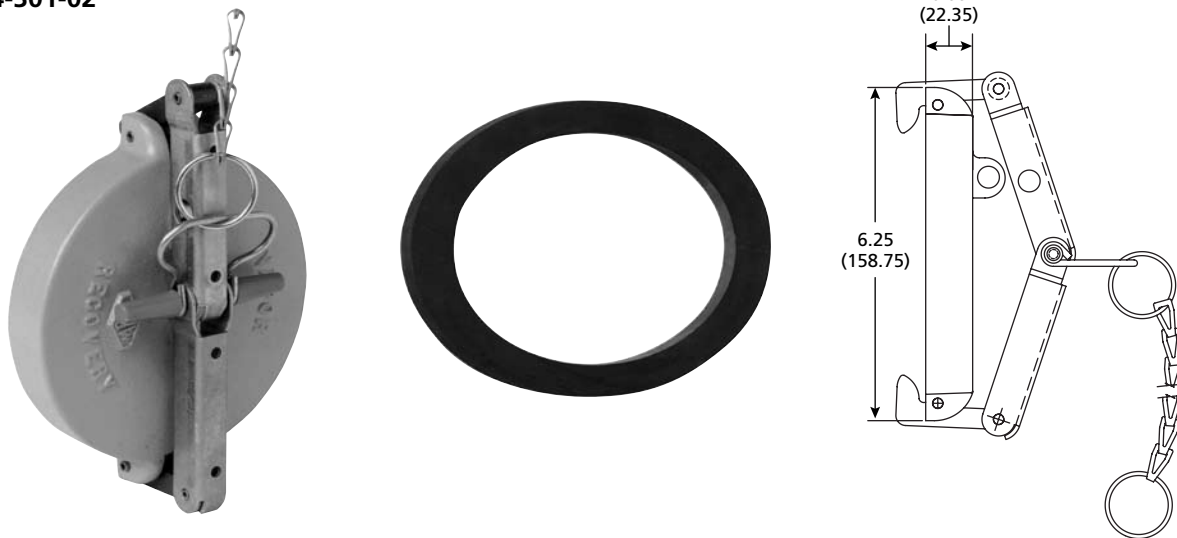
Features

- Meets API RP 1004 Standard.
- Aluminum or glass-filled nylon construction.
- Iron-copper infiltrated cams and steel latches.
- Lockable.

304-200-05



304-301-02

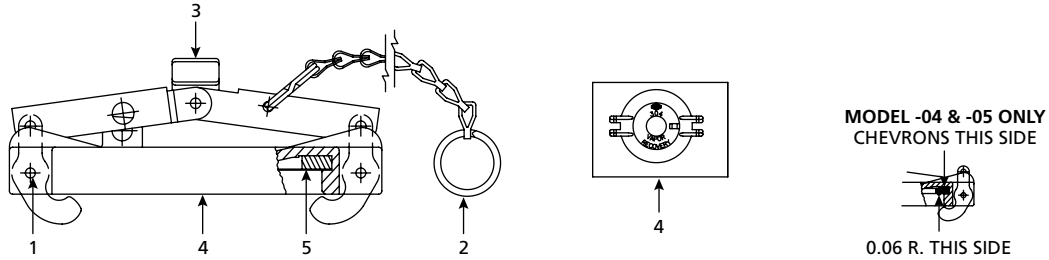


MODEL UNIT	304-200-01	304-200-02	304-200-04	304-200-05	304-301-01	304-301-02
Size (Inches/Millimeters)	4.00/101.6	4.00/101.6	4.00/101.6	4.00/101.6	4.00/101.6	4.00/101.6
Weight (Pounds/Kilograms)	1.19/.54	1.19/.54	1.19/.54	1.19/.54	1.19/.54	1.19/.54
Gasket No.	777-111-01	777-111-02	304-105-01	304-105-01	777-110-04	777-110-04



Vapor Caps Parts List

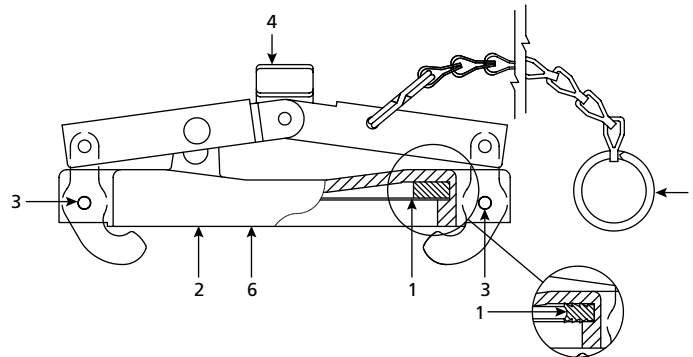
304-200-01/304-200-02/304-200-04/304-200-05



#	PART NAME	PART NUMBER	#	PART NAME	PART NUMBER
1	Spirol Pin	11024-09	4	Vapor Recovery Cover	304-305-01
2	Security Chain with Rings	774-110-03	5	Flat Gasket	777-111-01*
3	Handle Assembly	304-112-01	5	Gasket with Chevrons	304-105-01*

*304-200-01/304-200-02 use 777-111-01 Flat Gasket
304-200-04/304-200-05 use 304-105-01 Gasket with Chevrons

304-301-02



#	PART NAME	PART NUMBER	#	PART NAME	PART NUMBER
1	Gasket	777-111-01	4	Handle Assembly	304-412-01
2	Aluminum Body Cover	304-306-01	5	Security Chain with Rings	774-110-03
3	Spirol Pin	11024-03	6	Cover Assembly	304-301-01

PART NUMBER	DESCRIPTION
304-200-01	Nylon Vapor Cap without Chain
304-200-02	Nylon Vapor Cap with Chain
304-200-04	Nylon Vapor Cap without Chain-Chevrons Gasket
304-200-05	Nylon Vapor Cap with Chain-Chevrons Gasket
304-301-01	Aluminum Vapor Cap without Chain
304-301-02	Aluminum Vapor Cap with Chain