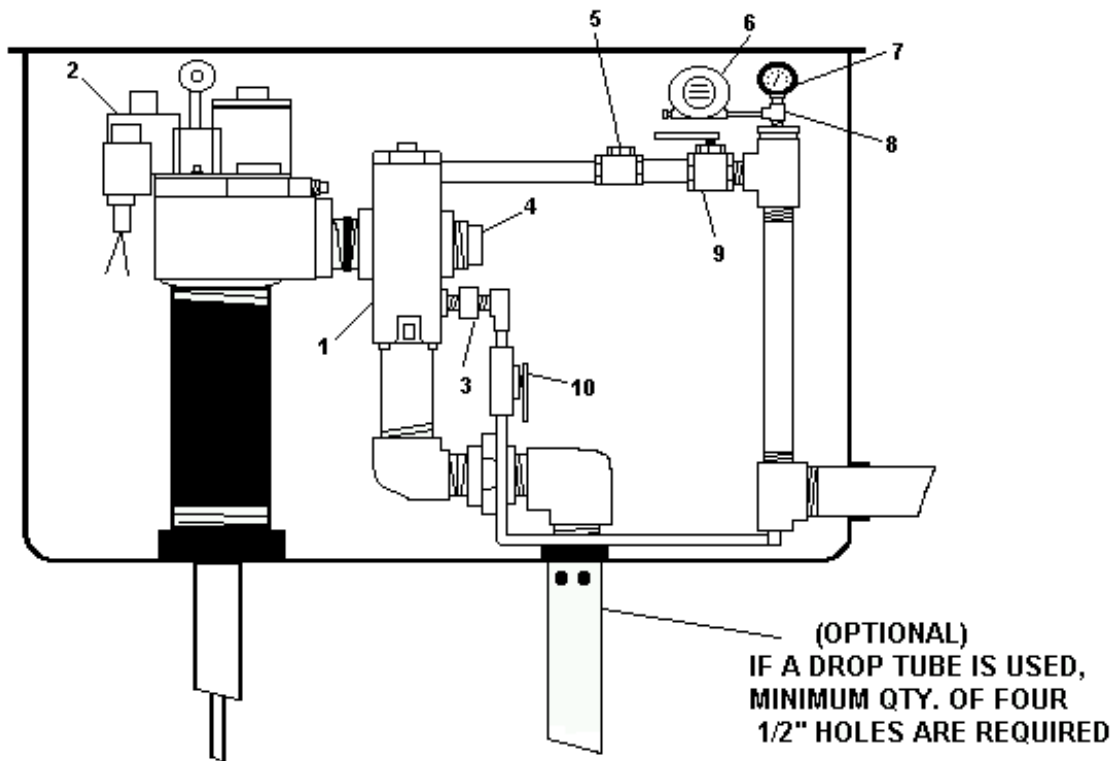


9000-02 MINI-JET INSTALLATION WITH RED JACKET PUMP (DEDICATED STP)



Below is a list of required items in a typical 9000-02 Mini-Jet sump installation.

1. 9000-02 Mini-Jet, Healy Systems Central Vacuum Source
2. Red Jacket STP Pump
3. Syphon Valve, Red Jacket
4. 2" Pipe Plug
5. Back Pressure Check Valve #9466, Healy Systems
6. Pressure Switch #9800-1, Healy Systems
7. W.C. Vacuum Gage, 0" to 100" (FOR TESTING ONLY)
8. 1/4" TEE for vacuum gage test port
9. 1" Ball Valve, U L listed
10. 1/4" Ball Valve, U L listed



SYSTEMS, INC.

17 Hampshire Drive - Hudson, New Hampshire 03051
Tel: (603) 8822472 Fax: (603) 882-5189

JW-C:\WORD\MYDOCUMENTS\9000-029\21\01