

Two Inch Float (TSP-IDF2 & TSP-IGF2)

Installation Instructions

The TSP-IDF2 and TSP-IGF2 floats are installed on the shaft of an INCON TSP-LL2 liquid level probe. The two TSP-IDF2 floats are used for tanks that contain diesel or fuel oils, and the two TSP-IGF2 floats are used for tanks that contain gasoline. The models share a common product float, which is designed to float on the product surface. The “water/interface” floats are designed to sink through the specific product and float above any water that may collect in the bottom of the tank.

The water/interface floats are color-coded for easy identification.

- TSP-IDF2 water float is blue (for diesel or fuel oils)
- TSP-IGF2 water float is red (for gasoline).

Figure 1 shows these floats.

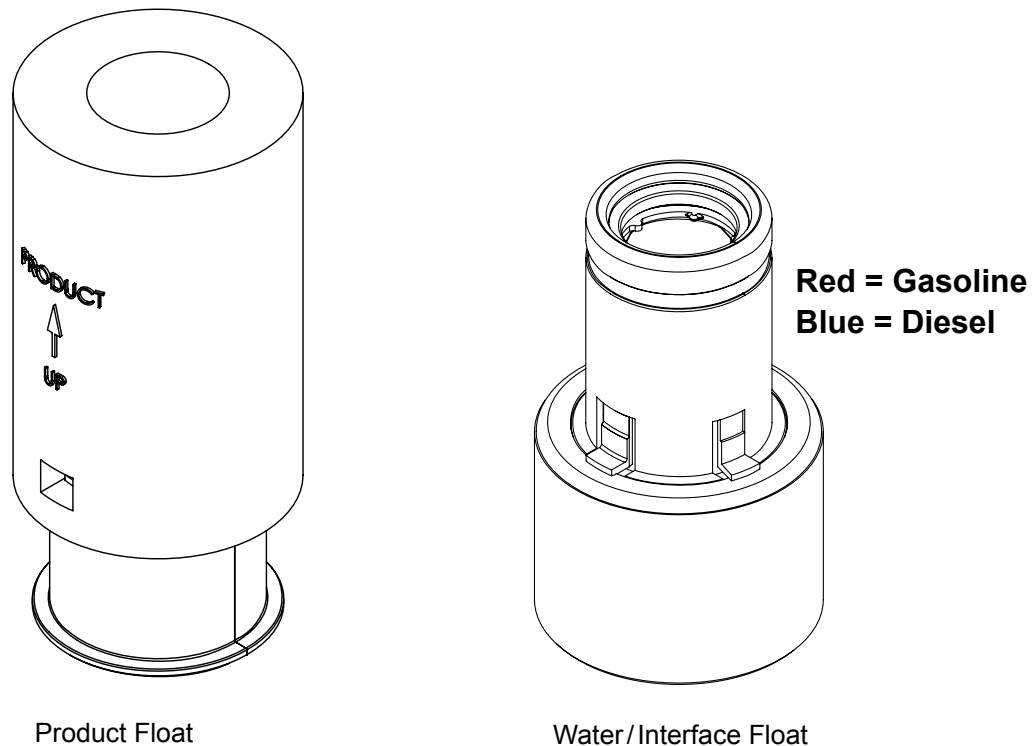


Figure 1: TSP-IDF2 & TSP-IGF2 Floats

Float Installation Details

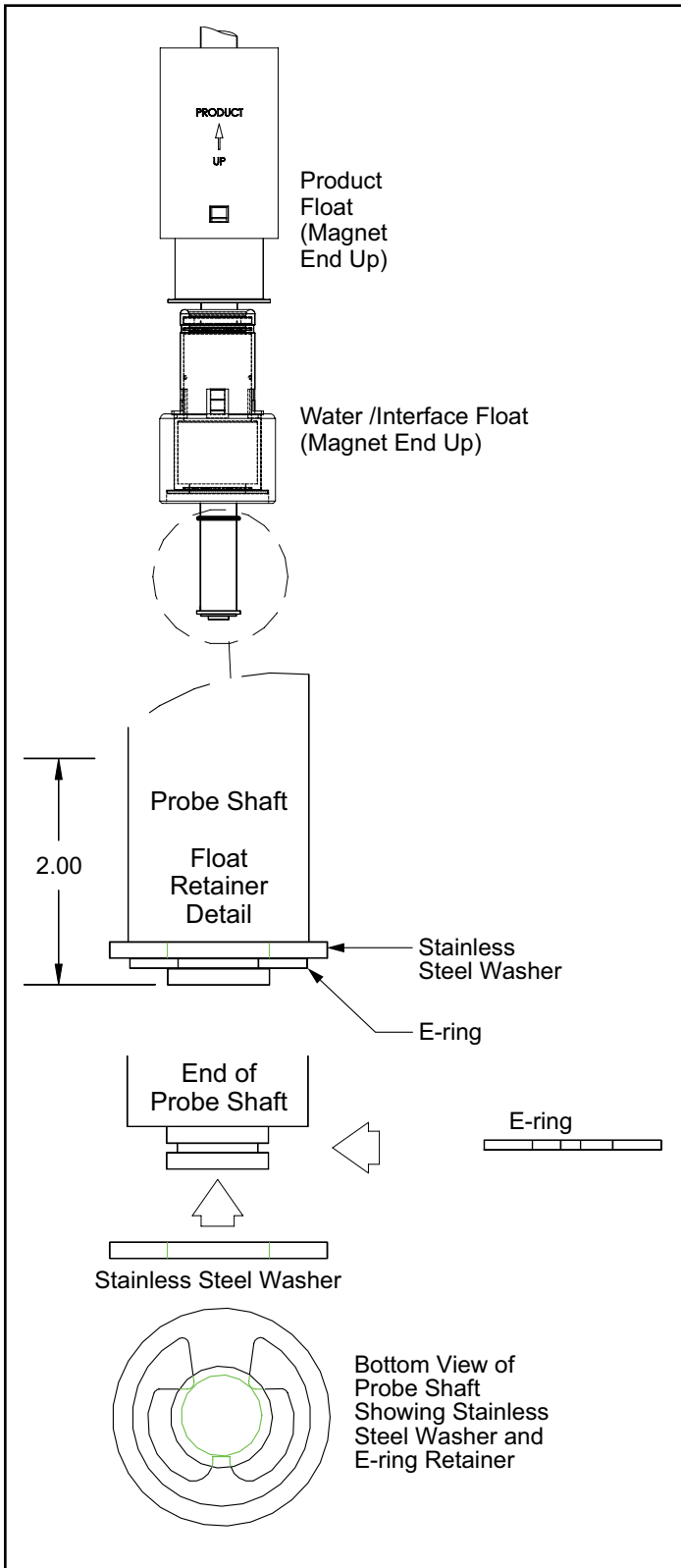


Figure 2: Float & Retainer Installation Detail

- Verify that the color of the water float agrees with the product to be used within the storage tank (Figure 1).
- Use a small flat bladed screwdriver to pry-off/remove the E-Ring from the bottom of the probe shaft, then remove the stainless steel float retainer washer. See Figure 2.
- Install the floats per Figure 2. Product float first (magnet end up) and then the water float (magnet end up).
- Install the stainless steel, “float retainer” washer at the bottom of the probe shaft. Slide the E-Ring into the groove below the stainless steel washer. See Figure 2.
- Install a 2 or 3 inch isolation bushing (*if required by local/State codes for steel tanks*), 2 or 3 inch tank riser (length = As Required), 2 or 3 inch to 4 inch bell reducer fitting, 4 inch riser (length = As Required), and the TSP-K4A riser cap adapter. See your installation guide (part number 000-1050).
- Install, wire, and test the TSP-LL2 liquid level probe. See your installation guide (part number 000-1050).



Franklin Fueling Systems

www.franklinfueling.com

3760 Marsh Road • Madison, WI 53718, U.S.A.

Tel: +1 608 838 8786 • Fax: +1 608 838 6433

Tel: USA & Canada 1 800 225 9787 • Tel: México 001 800 738 7610

Franklin Fueling Systems GmbH

Rudolf-Diesel-Strasse 20 • 54516 Wittlich, GERMANY

Tel: +49-6571-105-380 • Fax: +49-6571-105-510