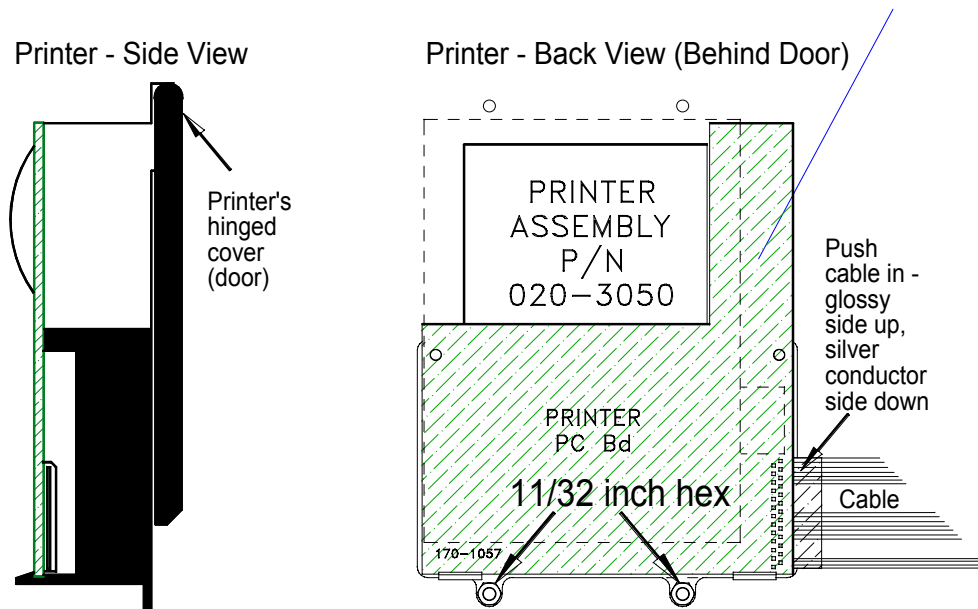


**Tank Sentinel, AutoStik, BulkStik Printer Assembly (P/N 020-3050):**



**Diagram: 1**

**Removal Steps** (with all Tank Gauge power **OFF**):

- 1.) Remove the Printer's hinged cover / door (see P/N 000-0201\_.doc).
- 2.) Remove the two 11/32 inch hex fasteners as shown above
- 3.) Remove the 26 conductor Cable by pulling it straight out → from the printer connector
- 4.) Raise the printer assembly slightly and twist about 45 degrees to clear the printer door hinge posts and finally pull the assembly out of the door

**Installation Steps** (with all Tank Gauge power **OFF**):

- 1.) Twist the printer assembly about 45 degrees to clear the printer door hinge posts insert the printer and rotate it back again in a vertical position
- 2.) Use both hands and plug-in the 26 conductor cable back into the mating connector under the **PRINTER PC Bd** (gloss side up silver conductor side down)
- 3.) Reinstall the two 11/32 inch hex fasteners, as shown above, and install the printer cover (see instructions P/N 000-0201.doc).

