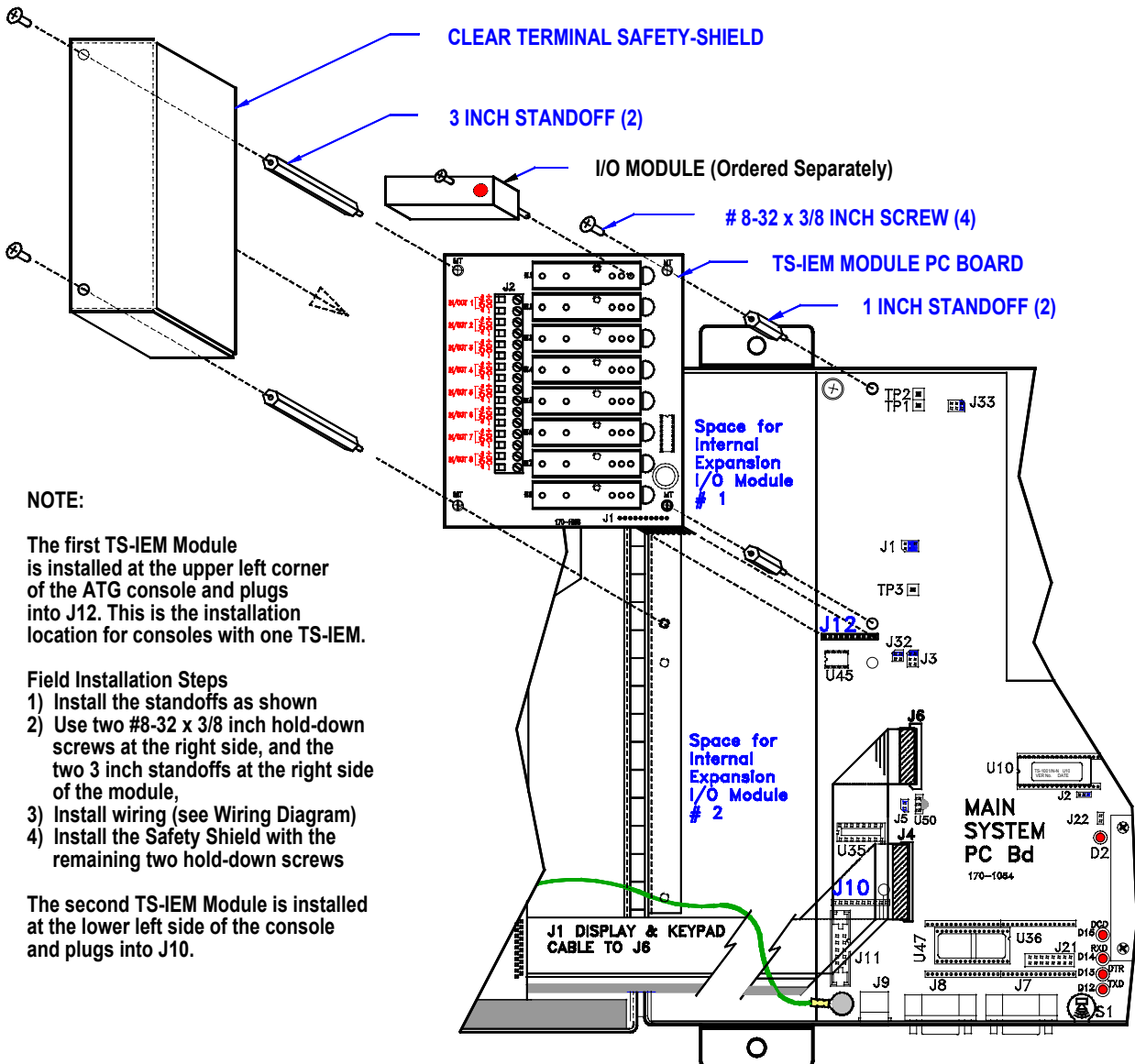


**TS-IEM Internal Expansion Module
 Installation Instructions for TS-2001, AutoStik II (8 Ch) ATGs**



NOTE:

The first TS-IEM Module is installed at the upper left corner of the ATG console and plugs into J12. This is the installation location for consoles with one TS-IEM.

Field Installation Steps

- 1) Install the standoffs as shown
- 2) Use two #8-32 x 3/8 inch hold-down screws at the right side, and the two 3 inch standoffs at the right side of the module,
- 3) Install wiring (see Wiring Diagram)
- 4) Install the Safety Shield with the remaining two hold-down screws

The second TS-IEM Module is installed at the lower left side of the console and plugs into J10.

Diagram: A



DANGER Electrical Shock Hazard Turn off / lock-out all console power and external power going or that will be wired to any TS-IEM Internal Expansion Module(s) before working on or servicing this equipment.

Continued next page...

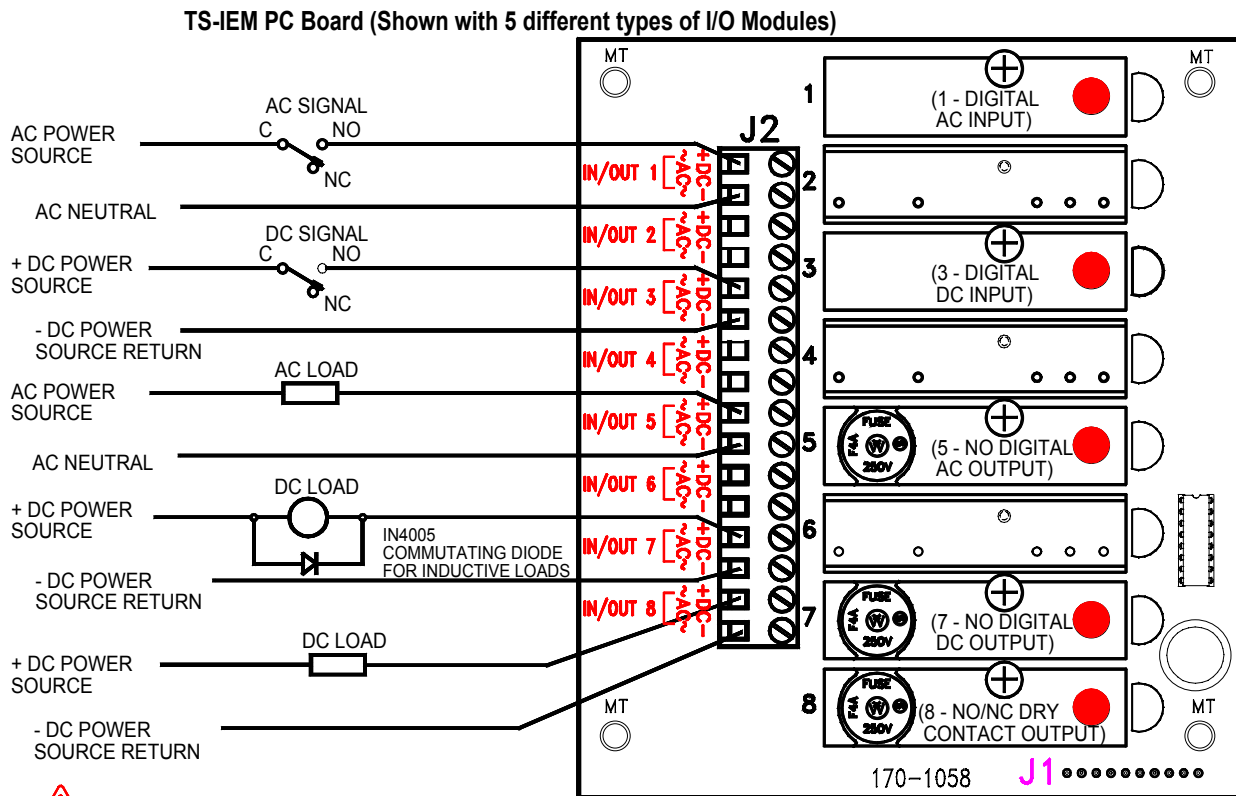


Diagram: B

Installation Steps (with all Tank Gauge power TURNED OFF):

- 1.) Refer to the system Installation Guide
- 2.) The TS-IEM PC Board is UL approved for **1 ampere maximum... DO NOT exceed this current rating** regardless of the I/O module current rating.
- 3.) Run external wiring (label each wire with its destination / power source).
- 4.) Check all wiring for accuracy before turning the power back on.
- 5.) Remove lock-outs and turn to power back on.
- 6.) Reference the system User Guide's and program the I/O module setup and test each device (TS-IEM channel) for proper operation.

