

TS-KB BriteBox™ Installation Kit

Overview

The INCON TS-KB can be used to quickly connect two BriteBoxes, or a BriteBox to TS-1000 console. The TS-KB installation kit is completely pre-assembled and includes all necessary hardware. The assembly includes a BriteBus™ ribbon cable, within a 3/4 inch flexible conduit. At both ends of the assembly there is a 3/4 inch, 90 degree, nylon conduit fitting and fastener.

Installation

Remove the 3/4 inch knockout at the TS-1000 console (hinge-side), install the TS-KB, and connect (plug-in) the BriteBus™ as shown in the diagrams below.

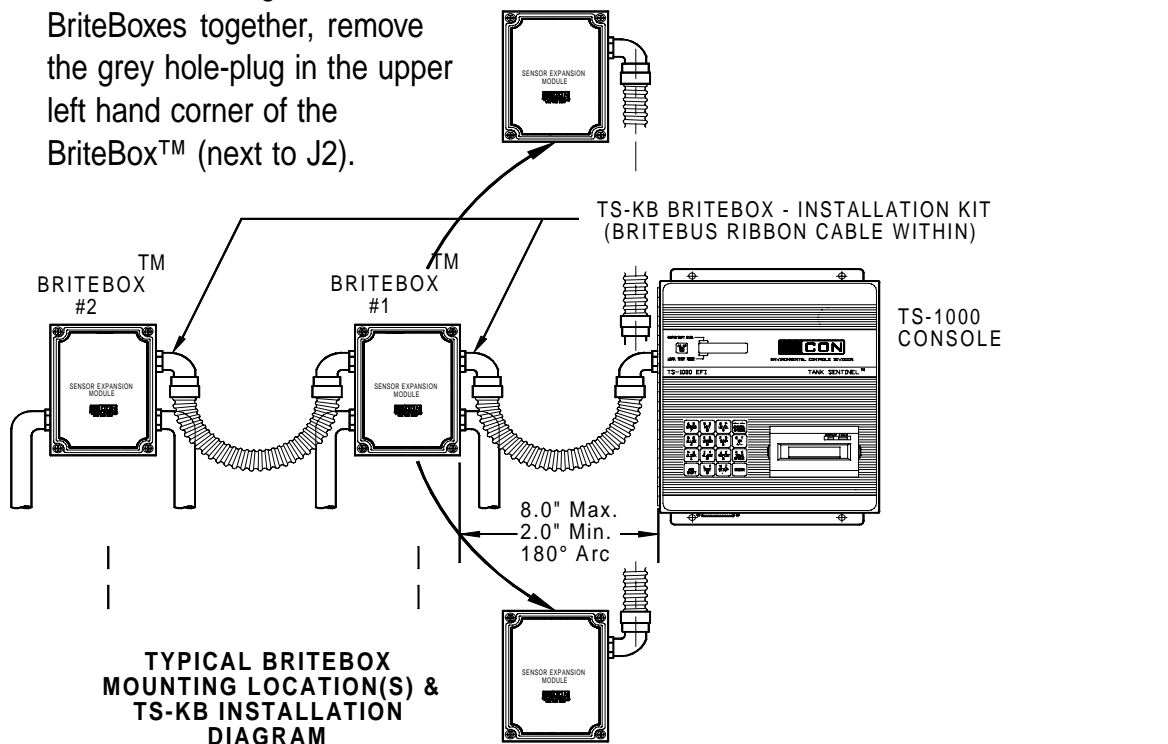


CAUTION Always install the BriteBus ribbon cable with the red-stripe facing down.

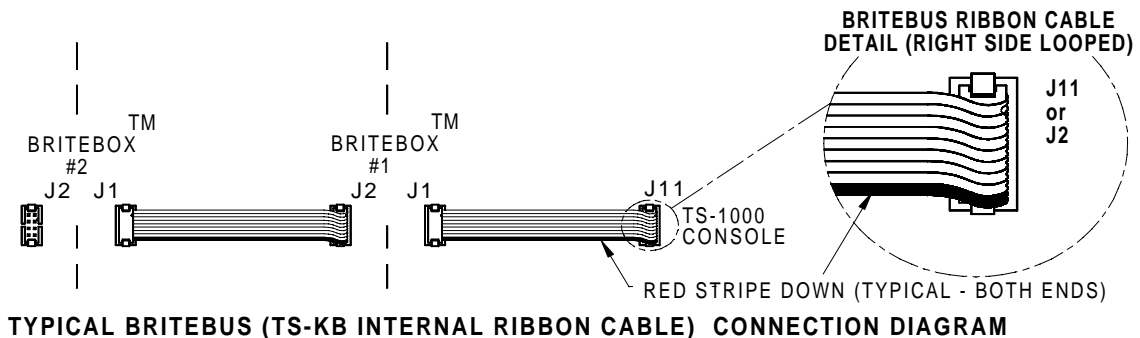
Note



When connecting two BriteBoxes together, remove the grey hole-plug in the upper left hand corner of the BriteBox™ (next to J2).



TYPICAL BRITEBOX MOUNTING LOCATION(S) & TS-KB INSTALLATION DIAGRAM



TYPICAL BRITEBUS (TS-KB INTERNAL RIBBON CABLE) CONNECTION DIAGRAM