

# Multiport Manhole Retrofit Survey Form

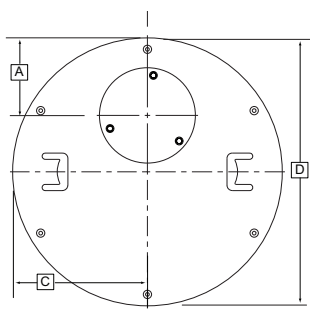
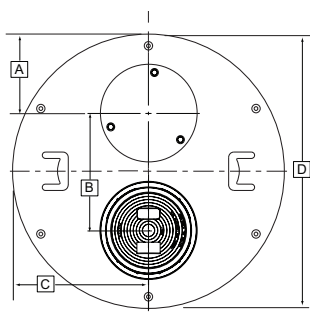
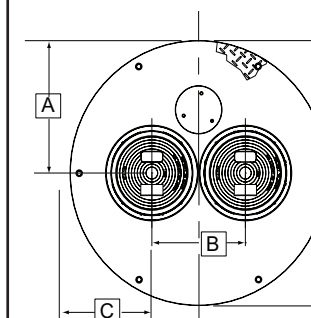
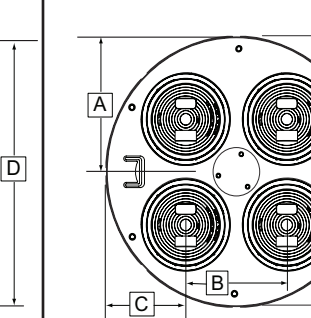
**Site Information**

Location Name: \_\_\_\_\_  
 Street Address: \_\_\_\_\_  
 City, State, Zip: \_\_\_\_\_  
 Site Phone #: \_\_\_\_\_  
 Date of Survey: \_\_\_\_\_  
 Year Installed (Approx) \_\_\_\_\_

**Distributor Information**

Company: \_\_\_\_\_  
 Contact Name: \_\_\_\_\_  
 Phone #: \_\_\_\_\_  
 Fax: \_\_\_\_\_  
 Street Address: \_\_\_\_\_  
 City, State, Zip: \_\_\_\_\_  
 Email Address: \_\_\_\_\_

**Check the multiport cover that is like the one being surveyed, and fill in dimensions.**

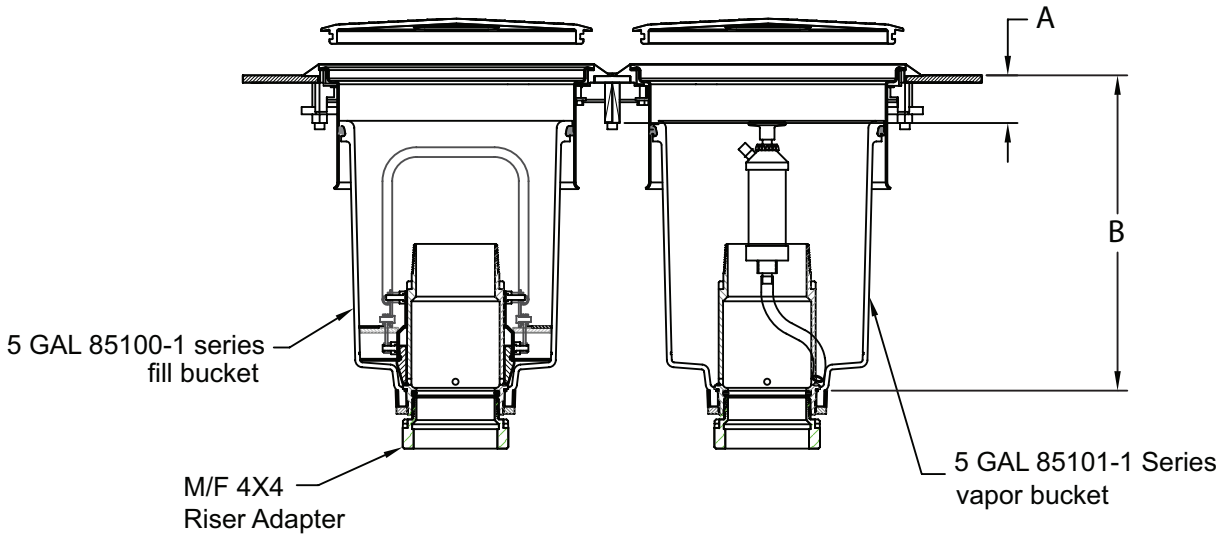
<input type="checkbox"/>	<input type="checkbox"/>	<input type="checkbox"/>	<input type="checkbox"/>
			
<b>Dim A</b>			
<b>Dim B</b> (N/A)			
<b>Dim C</b>			
<b>Dim D</b>			
Observation Port Size 6" <input type="checkbox"/> 13" <input type="checkbox"/>	Observation Port Size 6" <input type="checkbox"/> 13" <input type="checkbox"/>	Observation Port Size 6" <input type="checkbox"/> 13" <input type="checkbox"/>	Observation Port Size 6" <input type="checkbox"/> 13" <input type="checkbox"/>

Is a snow-plow ring needed? Yes  No

Spill Container Needed? Fill Side: Yes  No  Vapor side: Yes  No  (if yes, see page 2)

Comments \_\_\_\_\_

## Spill Container dimensions



"A" 3.38"  3.50"

"B" \_\_\_\_\_ (18.25" to 21.25")

**Franklin Fueling Systems** • 3760 Marsh Rd. • Madison, WI 53718 USA

Tel: +1 608 838 8786 • 800 225 9787 • Fax: +1 608 838 6433 • [www.franklinfueling.com](http://www.franklinfueling.com)