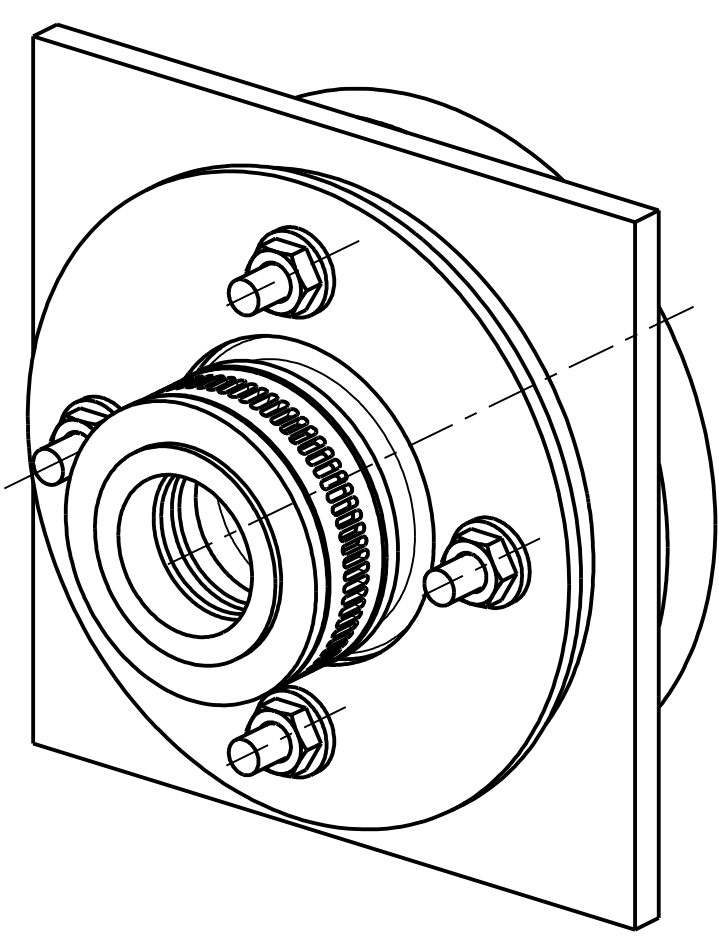
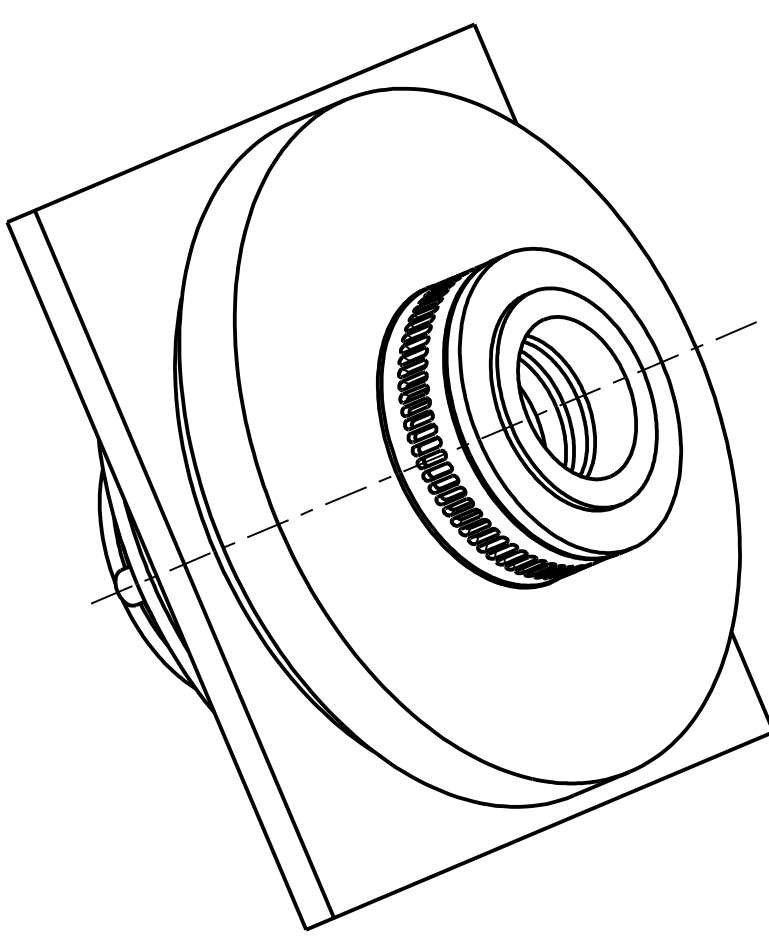


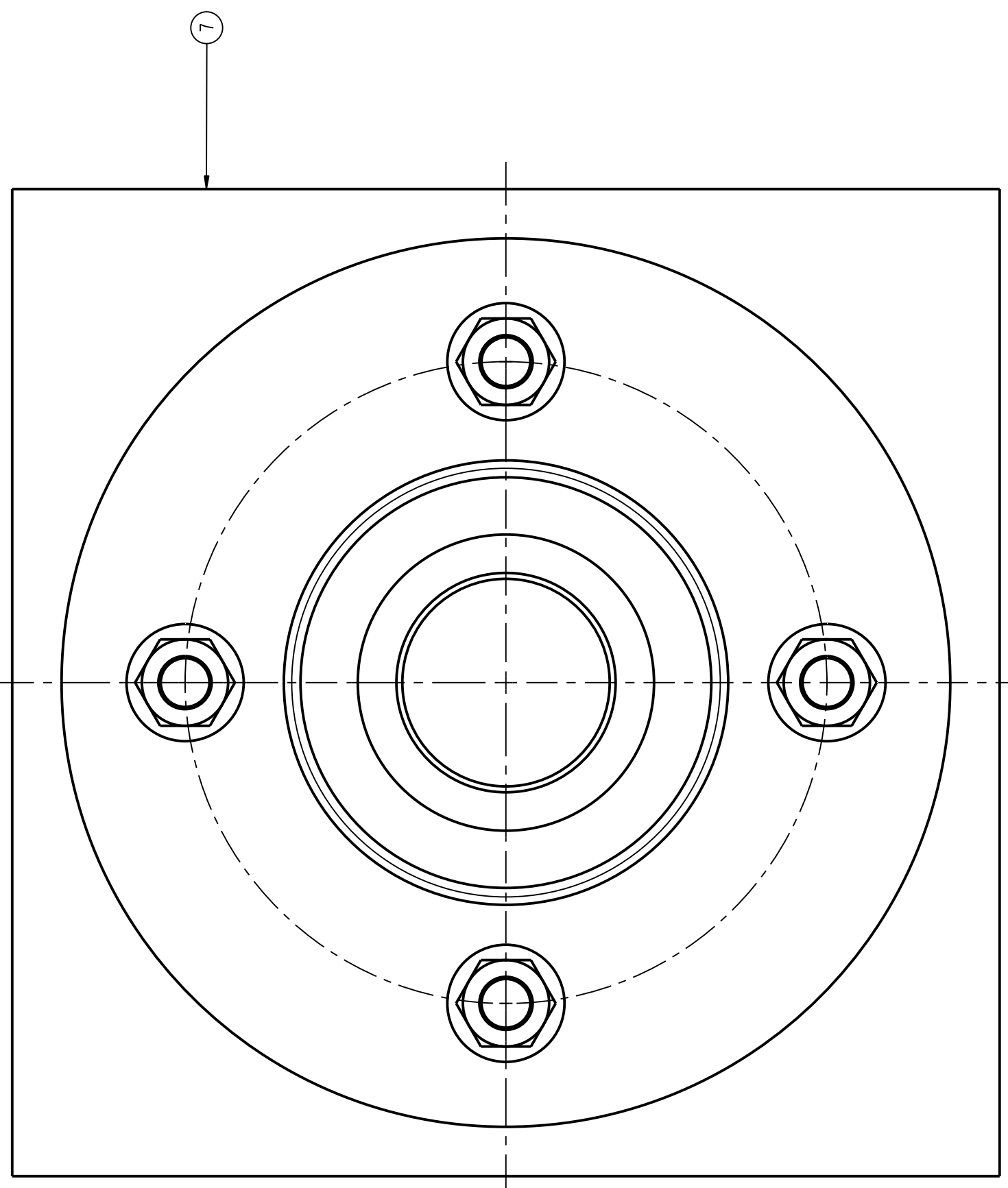
ITEM	DESCRIPTION	QTY
1	DIRECT BURY INSERT - 0.75" FEB	2
2	ENTRY BOOT SEAL - .075" PIPE	2
3	1/4" - 20 FLANGE NUT	4
4	HOSE CLAMP	2
5	4-STUD COMPRESSION PLATE	1
6	ENCAPSULATED 4-STUD BACKER PLATE	1
7	SUMP WALL (ILLUSTRATION ONLY)	1



SCALE 4/5



ISOMETRIC VIEWS



The information disclosed hereon includes proprietary rights of Franklin Fueling Systems, Inc. Neither this drawing nor the information contained herein may be reproduced or transferred to other documents, or used or disclosed to others for any purpose except as specifically authorized in writing by Franklin Fueling Systems. This drawing must be returned to Franklin Fueling Systems upon request.

MATERIAL:  
 DO NOT SCALE DRAWING  
 XX ± -  
 STANDARD INCH TOLERANCES (UNLESS OTHERWISE SPECIFIED)  
 XXX ± -  
 ANGULAR ± .°  
 SPECIAL DIST: \_\_\_\_\_

1	ENGINEERING PRE-RELEASE	-----	TF	12/21/09
REV	DESCRIPTION	ECN NO	BY	DATE



TITLE: DOUBLE FLEXIBLE ENTRY BOOT .075" PIPE  
 DRAWN: DATE: 12/21/09  
 TF: FEB-075-D2  
 SUFFIX:  
 APPROVAL: DATE: \_\_\_\_\_  
 SCALE: 3/2 SHEET 1 OF 1