

## Advantages

- Constructed from rugged 1/4" thick, three-layer hand layup FRP with a vapor, watertight gel coat interior wall surface.
- White gel coat interior provides a vapor and watertight barrier and superior visibility.
- Available in 42" and 48" diameter.
- Sump reducers are available to fit under a 42" or 36" manway.
- Double wall models are shipped under vacuum with a vacuum gauge installed for verification at site of sealed interstitial.
- Packages include watertight sump shield, sump reducer and sump riser.

## Model Number Reference Chart

**XXXXXX - X/X - XX - X**  
**I A B 2 3 4**

### I = Sump Type

T = Turbine

### A = Depth

M = Medium burial  
 D = Deep burial

### B = Size

4236 = 42" diameter base, 36" minimum manway diameter  
 4836 = 48" diameter base, 36" minimum manway diameter  
 4842 = 48" diameter base, 42" minimum manway diameter

### 2 = Watertight Shield Opening Options

0/0 = Turbine cover, no openings

### 3 = Base Options

OB = Octagonal base with bottom  
 RC = Round collar mount base  
 OC = Octagonal base mount base

### 4 = Interstitial Monitoring Method

S = Single wall, none  
 H = Hydrostatic (brine)  
 V = Vacuum

# Watertight Fiberglass Turbine Sump Packages

Our octagonal base sumps are a two-piece design eliminating the need to work in a confined space during installation. Eight flat panels are molded into the bottom section to provide 90° pipe entries.

Available in both single and double wall configurations. Each package includes a patented watertight multi-port sump shield.

Most single wall models are available with or without bottom for various mounting options.

Double wall models are only available for mounting to tank collar.

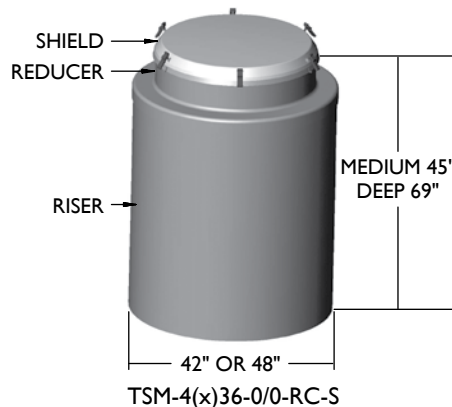
Note: Two-week lead time on all fiberglass parts.



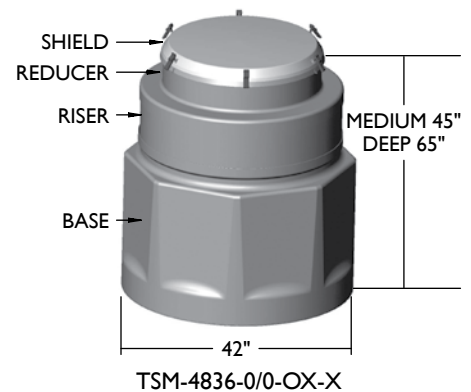
T Model Turbine Sumps



T Model Two-Piece Octagonal Turbine Sumps



TSM-4(x)36-0/0-RC-S



TSM-4836-0/0-OX-X

## 42 & 48" Single Wall Cylindrical Turbine Sumps

Model	Wall Type	Riser Base Dia.	Min. Manway Size	Seam Kits Recommended	Bottom
T(X)A4236-0/0-RC-S	Single	42	36	2	No
T(X)A4836-0/0-RC-S	Single	48	36	2	No

Note: Seam kits not included. See bottom of page for part number and pricing.

\*Overall height.

## 42" Single and Double Wall Octagonal Turbine Sumps

Model	Wall Type	Octagonal Base Dia.	Min. Manway Size	Seam Kits Recommended	Bottom	Riser Dia.
T(X)4236-0/0-OC-S	Single	42	36	2	No	39
T(X)4236-0/0-OB-S	Single	42	36	1	Yes	39
T(X)4236-0/0-OC-H	Double	42	36	4	No	39
T(X)4236-0/0-OC-V	Double	42	36	4	No	39

Note: Seam kits not included. See bottom of page for part number and pricing.

\*Overall height.

## 48" Single and Double Wall Octagonal Turbine Sumps

Model	Wall Type	Octagonal Base Dia.	Min. Manway Size	Seam Kits Recommended	Bottom	Riser Dia.
T(X)A4836-0/0-OC-S	Single	48	36	3	No	42
T(X)A4836-0/0-OB-S	Single	48	36	2	Yes	42
T(X)4836-0/0-OC-H	Double	48	36	4	No	42
T(X)4836-0/0-OC-V	Double	48	36	4	No	42

Note: Seam kits not included. See bottom of page for part number and pricing.

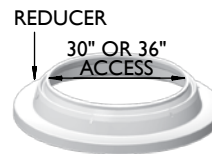
\*Overall height.

## 30 & 36" Access Turbine Watertight Sump Shield Packages\*

Model	Access Opening	Riser Dia.	Min. Manway Dia.	Seam Kits Recommended
TSS-4236	30"	42	36	1
TSS-4836	30"	48	36	1
TSS-XS36	30"	Xerxes 33	36	1

Note: Seam kits not included. See bottom of page for part number and pricing.

\*Package includes watertight sump shield and riser reducer.



42" or 48" TSS models

## Fiberglass Seam Adhesive Kit

Model	Description
FG-SEAMKIT	Includes matte, resin, putty and catalyst for one fiberglass seam single or double wall.

Note: Double wall applications may require two seam kits per seam.

## Fiberglass Replacement Parts

Model	Description
TSS-36	36" watertight sump shield
602212001	33" sump shield gasket
602212002	40" sump shield gasket

# Franklin Fueling Systems

www.franklinfueling.com  
 3760 Marsh Road • Madison, WI 53718, USA  
 Tel: +1 608 838 8786 • Fax: +1 608 838 6433  
 Tel: USA & Canada 1 800 225 9787 • Tel: Mexico 001 800 738 7610

