

Dispenser Sump Top Frame Mounting Guidelines

APT currently offers (24) different top frame designs (LMT) for various dispenser manufacturers. The top frame's model number is based upon the opening size of the frame. Figure 1 shows a LMT-3617 (36"x 17.25"), which will fit a Gilbarco Encore and certain other dispensers.



Figure 1: Dispenser Top Frame LMT-3617

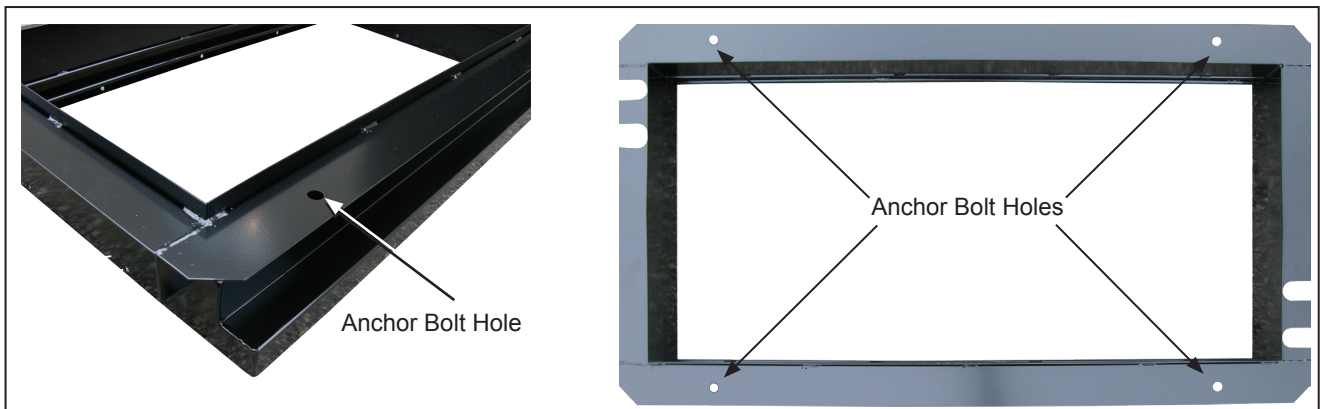


Figure 2: Dispenser Anchor Bolt Hole Location

Before you pour concrete around the top frame, make sure the anchor bolt holes in the top frame match up with the anchor holes in the dispenser frame. If the holes in the top frame do not match the mounting holes in the dispenser base, drill new holes in the top frame to match the dispenser mounting holes.

If the sump was installed in concrete and it is identified that the anchor bolts do not match the mounting holes in the dispenser, measure the anchor bolt locations and drill new mounting holes in the dispenser base.

If you have questions about this equipment, contact Franklin Fueling Systems Technical Support at 1-800-984-6266