



90022 Blank and Test Drain Kit

OLD STYLE TANK ASSEMBLIES

705, 715, & 725 MODELS

11176-12 SCREW 1/4-20 x .75 HEX HD.

COVER PLATE

TANK

GASKET

BASE

NOTE:

TANK IS TRAPPED
BETWEEN COVER
PLATE AND BASE.

*Torque Hex Head screws to 60 to 80 in. lb.
torque. Use a suitable torque wrench and a
7/16" hex socket.*

REDESIGNED TANK ASSEMBLIES

705, 715, & 725 MODELS

11176-06 SCREW 1/4-20 x .50 HEX HD.

COVER PLATE

TANK

GASKET

BASE

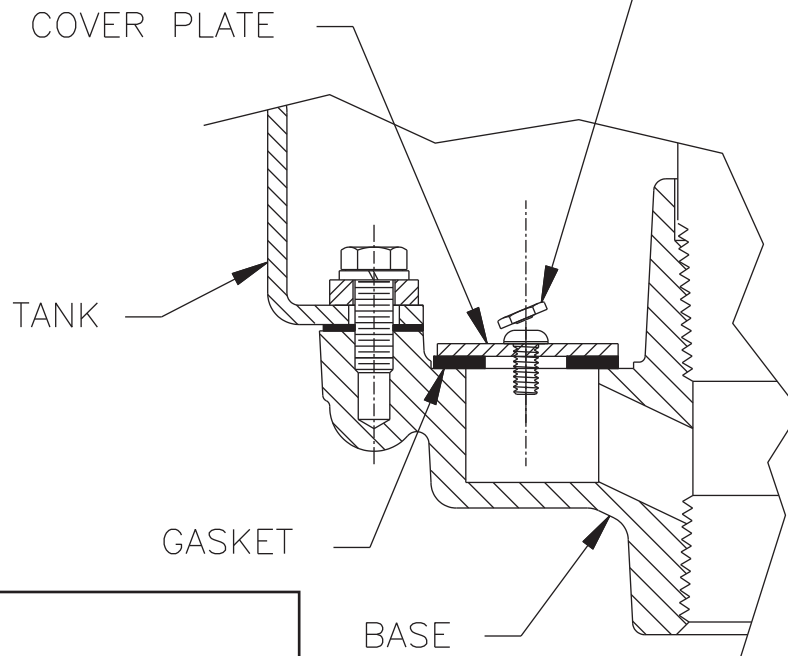
NOTE:

COVER PLATE IS MOUNTED
IN RECESS DIRECTLY TO BASE.

90089 Permanent Drain Blank Kit (C.A.R.B. Version)

NEW TANK ASSEMBLIES
705, 715, & 725 MODELS

11558-01 SCREW 1/4-20 x .50
TAMPER PROOF
NOTE: TORQUE SCREWS UNTIL
HEX DRIVE BREAKS OFF.



NOTE:
COVER PLATE IS MOUNTED
IN RECESS DIRECTLY TO BASE.



Franklin Fueling Systems

3760 Marsh Road • Madison, WI 53718 U.S.A.

Tel: +1 608 838 8786 • Fax: +1 608 838 6433 • www.franklinfueling.com

Tel: USA & Canada 1 800 225 9787 • Tel: México 001 800 738 7610

