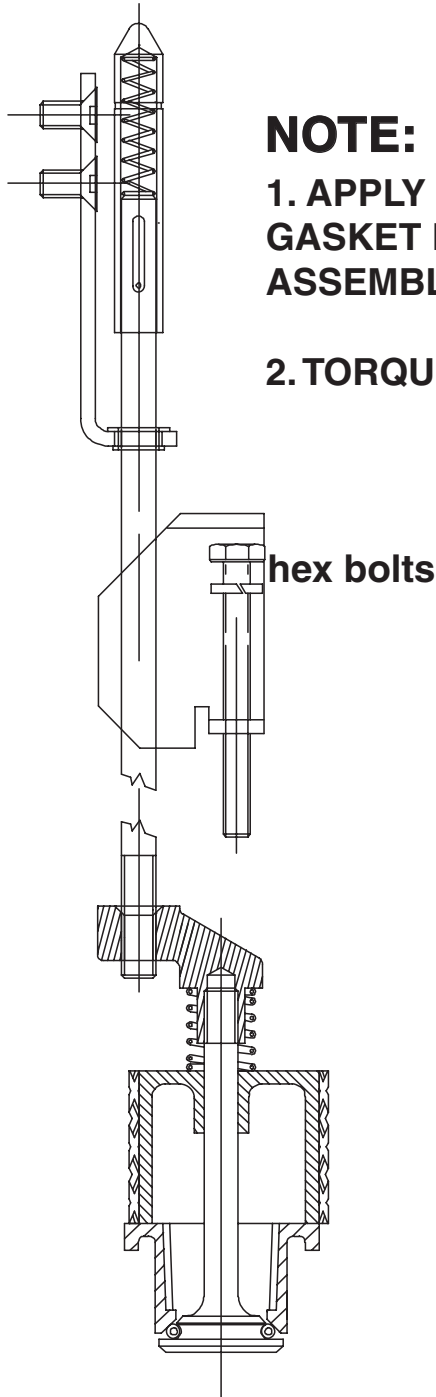


# Installation Instructions

## 705-225 Cover Actuated Push Drain Assembly Kit

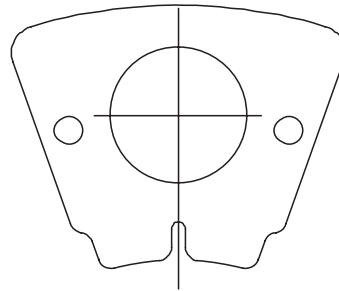


### NOTE:

1. APPLY GREASE OR VASELINE TO DRAIN VALVE GASKET PRIOR TO PLACING DRAIN ASSEMBLY IN PLACE.

2. TORQUE HEX BOLTS TO 100 INCH POUNDS.

Gasket - Drain Valve



**Franklin Fueling Systems**

3760 Marsh Road  
Madison, WI 53718, U.S.A.  
Tel: +1 608 838 8786  
Tel: USA & Canada 1 800 225 9787  
Tel: Mexico 001 800 738 7610  
[www.franklinfueling.com](http://www.franklinfueling.com)