



## Spill Container Replacement Parts

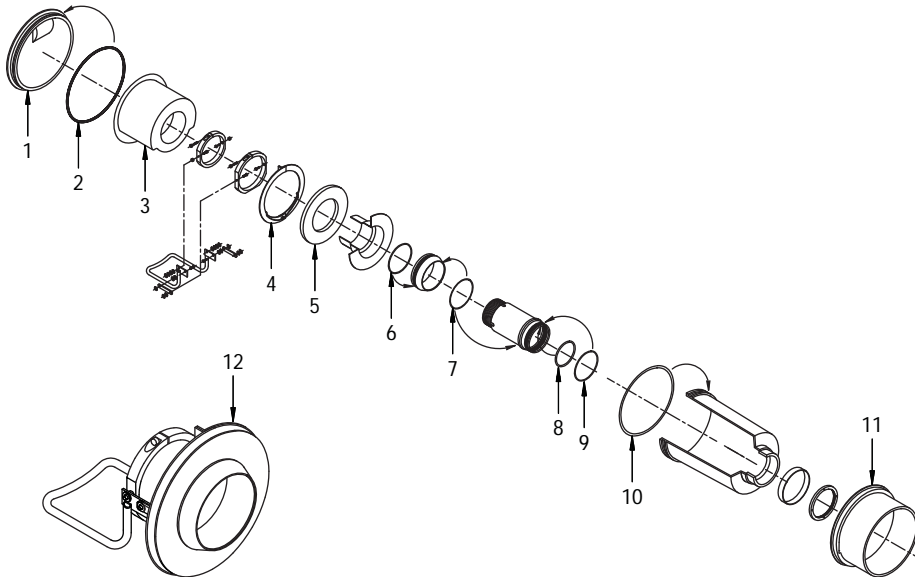
### Replacement Spill Containers

Replacement 5 gallon spill containers, include factory installed risers on both fill and vapor models. A drain valve is included on fill models as shown. Factory assembled and tested. For all direct bury and multi-port manways. 85000-EXT includes an extension for use with platform packages shown on page 64. Available as vapor, without drain valve, or fill, with drain valve.

Model	Description
85100-1*	Replacement 5 gallon 85000-1 fill spill bucket, with drain valve
85101-1*	Replacement 5 gallon 85000-1 vapor spill bucket, without drain valve
85100-EXT	Fill spill collector with 5 gallon extension attached, with drain valve
85101-EXT	Vapor spill collector with 5 gallon extension attached, without drain valve
85100	Replacement 3.5 gallon Phil-Tite spill bucket, with drain valve
85101	Replacement 3.5 gallon Phil-Tite spill bucket, without drain valve

\*Missouri MOPETP approved.

### 85000-1 and 85100-1 Spill Collector Fill Spill Bucket



Number	Part Number	Description
1	85011-1	Grey ductile cast iron cover with wiper seal
2	SC-1513V	U-shaped seal for ductile cast iron lid
3	PP-1005-TB	Fill debris bucket insert, without pump
	PP-1005-TBP	Vapor debris bucket insert, with pump
4	85031-1	Stainless steel retaining ring for screen and filter
5	602026001	Flexible polyurethane foam filter
6	85035	Shut-off collar to screen, upper O-ring
7	85035	Shut-off collar to screen, lower O-ring
8	85039	1/4" flat seal-riser tube, inner O-ring
9	85035	Riser tube to spill bucket, outer O-ring
10	85036	Outer spill bucket U-shaped seal for 85000 Series
	85036-1	Outer spill bucket U-shaped seal for 85000-1 Series
11	85009	Direct bury stainless steel sleeve
12	85400	Drain valve handle and valve assembly

### Advantages

- Extra space at top of spill container makes it easier for drivers to connect fuel hose.
- Patent number: 4,696,330.
- EVR Phase 1 Certification VR-101.
- Florida approved EQ555.
- Tracer tight approved.
- Missouri MOPETP approved APCP-0002-001-99.

